

BLOCK™



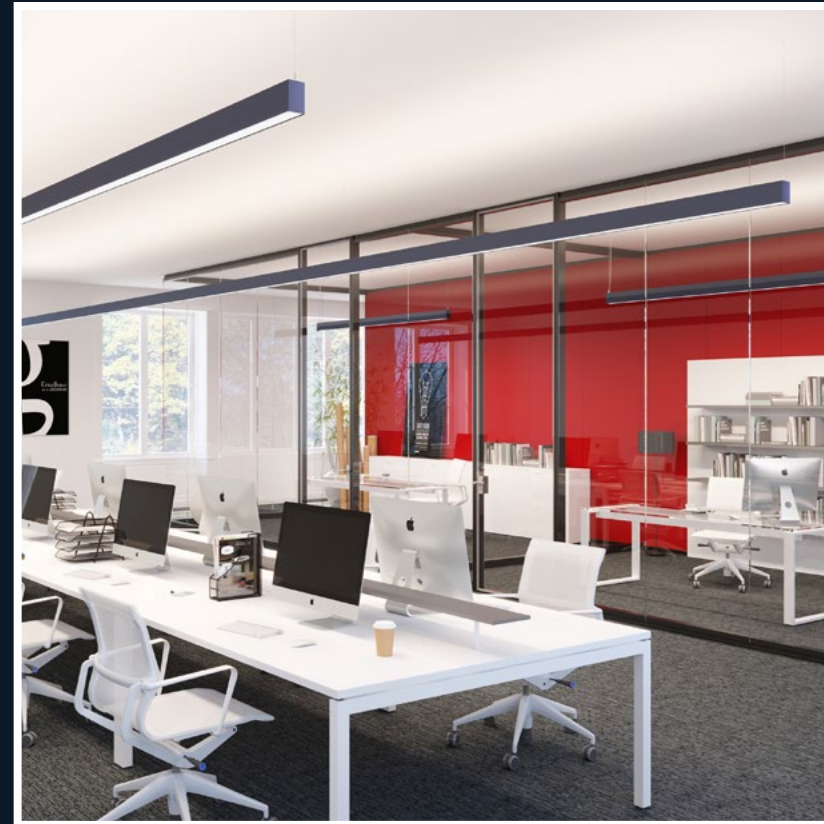
BLOCK

INTRODUCTION

BLOCK stands as an unwavering workhorse among linear systems, delivering versatile performance to meet the specific aesthetic and functional needs of any project. Available in three aperture sizes (1.5", 2.5", and 3.5"), BLOCK allows designers to tailor lighting to suit any space. The choice of end caps in either sleek flat or elegant curved enhances the luminaire aesthetics, while the seamless rollout diffuser ensures uniform, shadow-free illumination. With precision light distributions – Diffused, Widespread, Batwing, and Asymmetric – and eight lumen packages ranging from 200 LM/FT to 1600 LM/FT, BLOCK offers powerful, energy-efficient lighting with luminous efficacy up to 152 LPW. By integrating BIOS technology, the series supports circadian regulation, enhancing the overall environment to promote health and well-being. Embodying precision, BLOCK fulfills its specification promises with finesse, making it an unequivocal choice for those seeking adaptability across a spectrum of performance criteria and budget considerations.



BLOCK



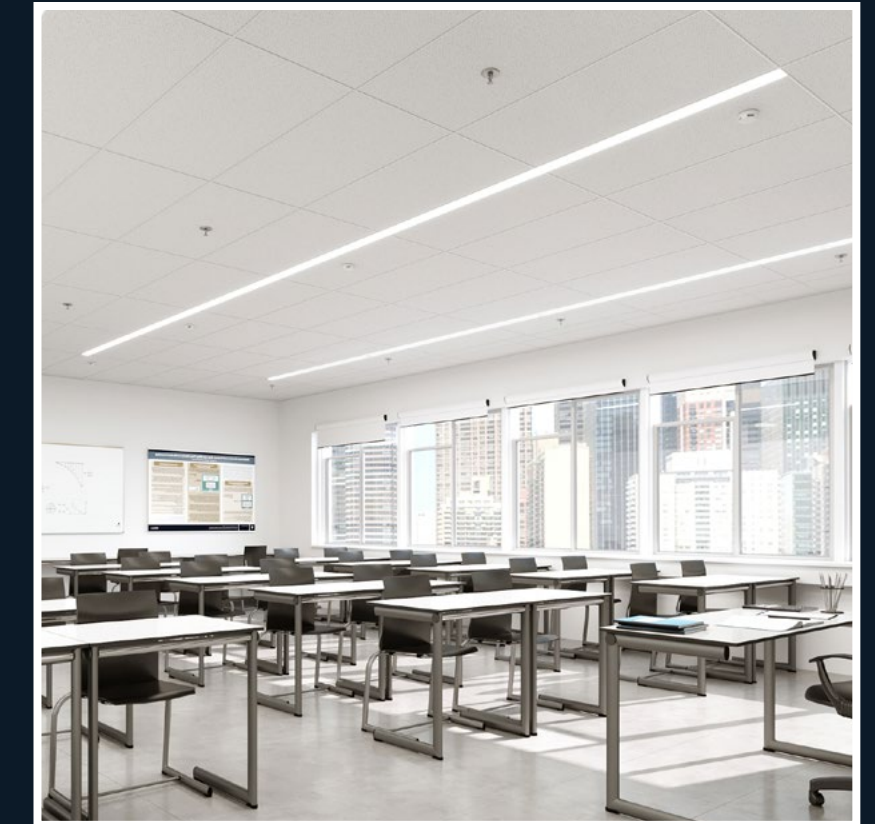
SUSPENDED



CEILING

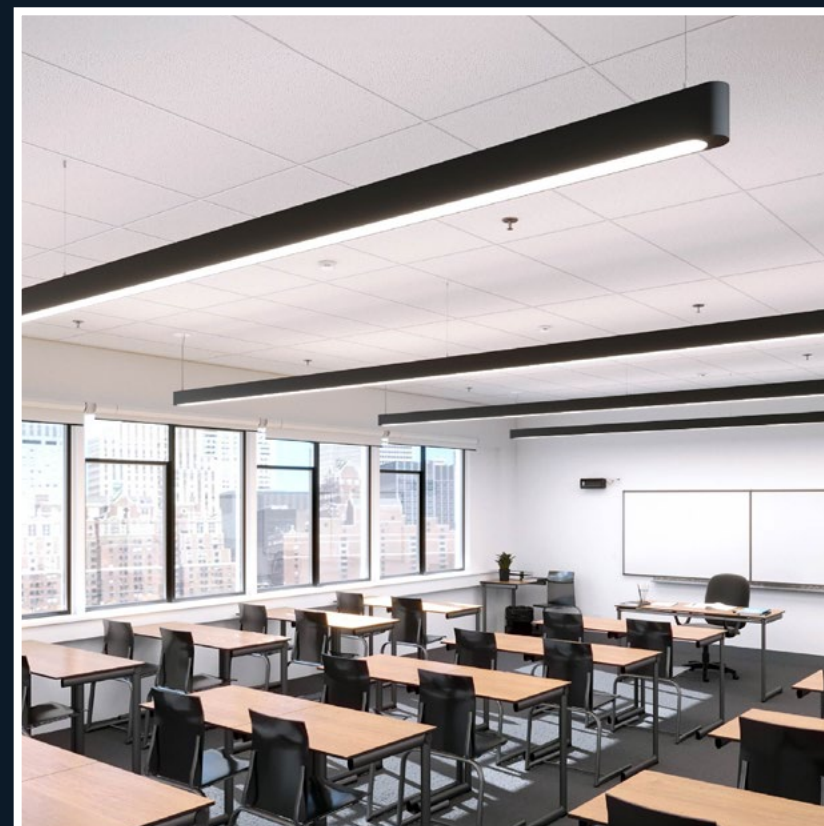


WALL



RECESSED

BLOCK CURVE



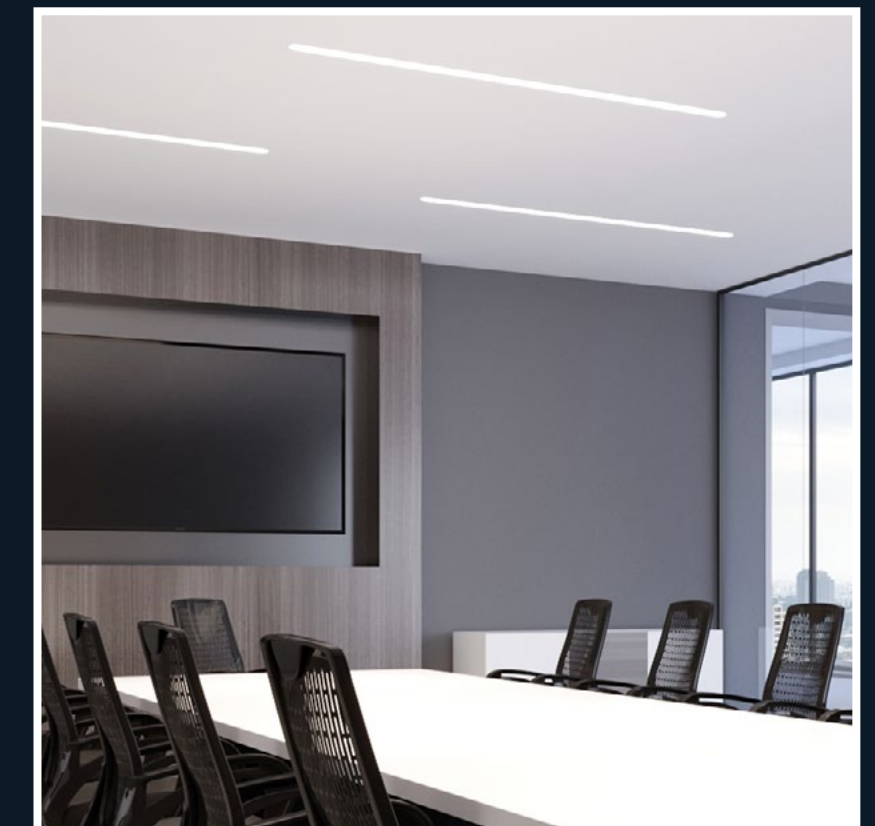
SUSPENDED



CEILING



WALL



RECESSED

FEATURES

VERSATILE APERTURE CHOICES

Choose from three aperture sizes (1.5", 2.5", and 3.5") to tailor your lighting design. Whether you need a subtle line of light or a bold statement, these options provide the flexibility to create lighting that fits perfectly within the architectural context, meeting the unique aesthetic and functional requirements of any project.

TWO END CAP DESIGNS

Select between flat and curved end caps to enhance your fixture's aesthetics. These options let you align the fixture to your design theme, creating a cohesive look that complements the space's architecture. Whether you prefer a clean, classic architectural aesthetic with flat end caps or a smooth, contemporary feel with curved ones, Block integrates with your vision.

SEAMLESS ROLLOUT DIFFUSER

Enjoy uniform, shadow-free illumination with our rollout diffuser, designed for easy installation and maintenance. This feature ensures that lighting installations are not only visually flawless but also easy to maintain. The field-cutttable design provides on-site adaptability, making it a convenient and flexible solution for complex installations.

PRECISION LIGHT DISTRIBUTIONS

Choose the ideal optical control for your lighting needs. The Diffused optic provides soft, uniform light, balancing aesthetics and functionality for general use. The Widespread optic offers broad, even illumination with minimal glare, allowing for broader fixture spacing and reducing the overall number of fixtures needed—perfect for large open spaces requiring consistent lighting and visual comfort. The 120° Batwing optic, available for indirect lighting, enhances ambient light by reflecting glare-free light from the ceiling. The Asymmetric optic skews the light in one direction for targeted illumination, making it ideal for perimeter lighting and wall washing.

FLEXIBLE LUMEN PACKAGES

With eight lumen packages ranging from 200 LM/FT to 1600 LM/FT, you can find the perfect light intensity for any setting. This flexibility allows for precise light planning, ensuring optimal illumination levels for different environments, from cozy, ambient spaces to brightly lit areas requiring high visibility.

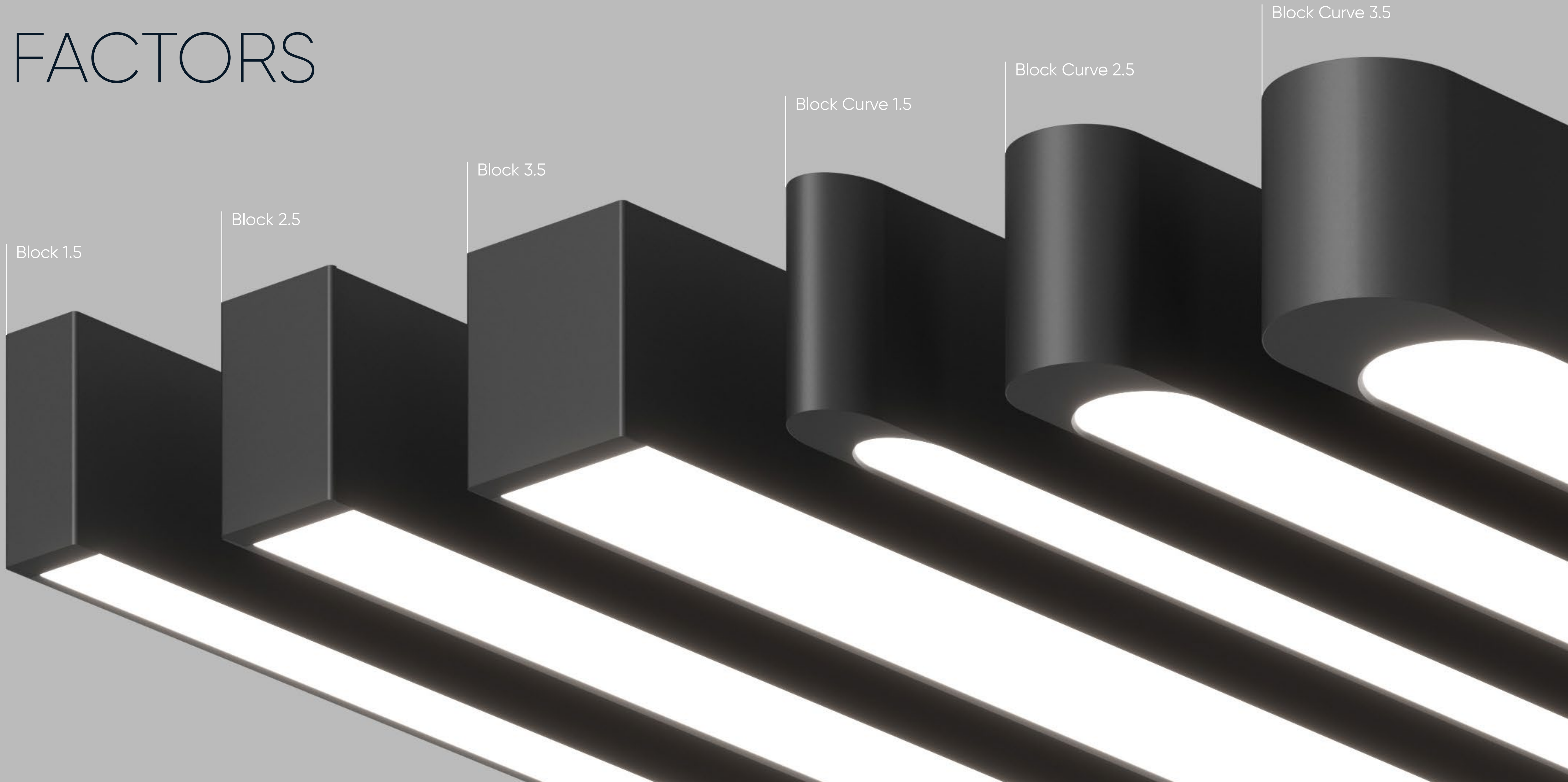
HIGH-EFFICIENCY ILLUMINATION

Benefit from exceptional lumen efficacy of 152 LPW for powerful and energy-efficient lighting. This high efficiency ensures that spaces are brightly illuminated while minimizing energy consumption, making it an environmentally friendly and cost-effective choice for large-scale projects.

CIRCADIAN SYNCING

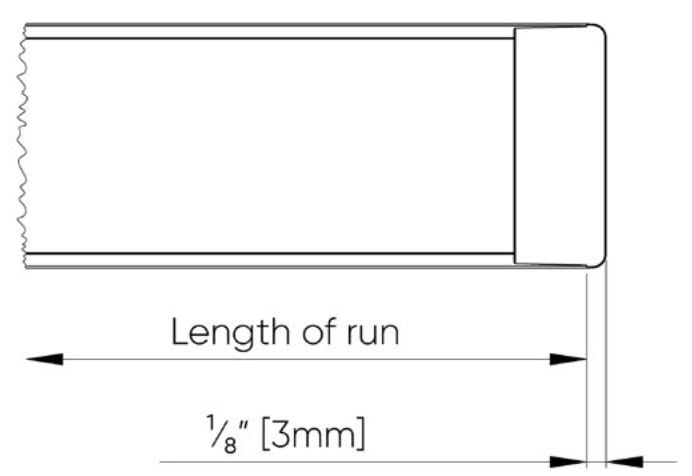
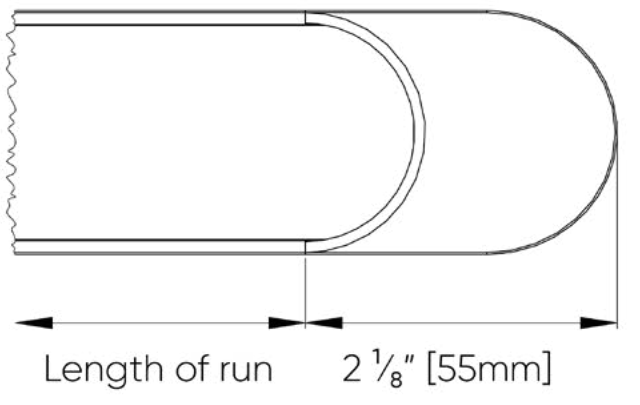
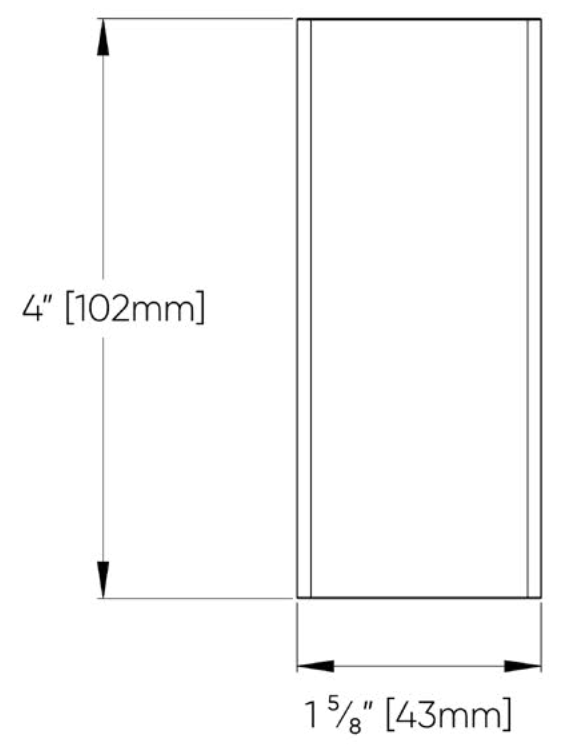
For a truly holistic environment, consider BIOS technology. This innovative system dynamically adjusts the light spectrum throughout the day, replicating natural daylight patterns. This fosters a healthy circadian rhythm in occupants, a scientifically proven approach to enhancing cognitive function, sleep quality, and overall well-being within the space.

FORM FACTORS

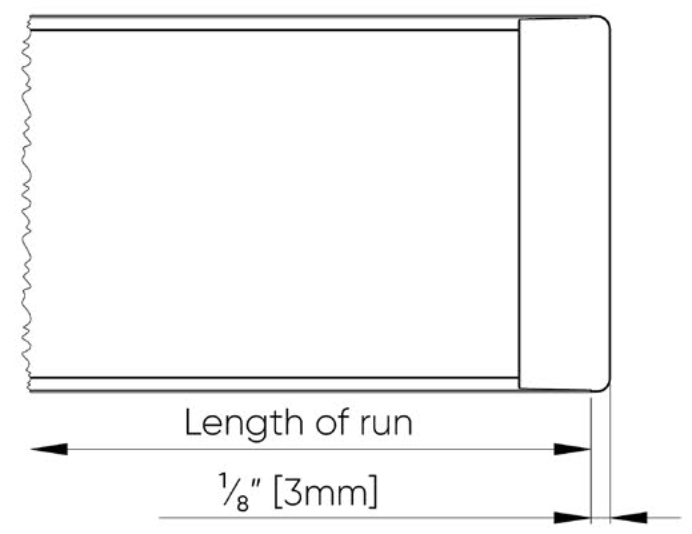
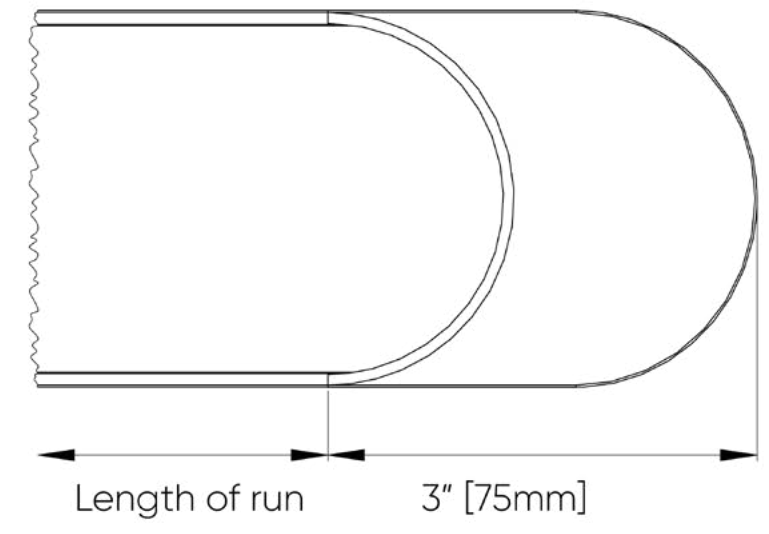
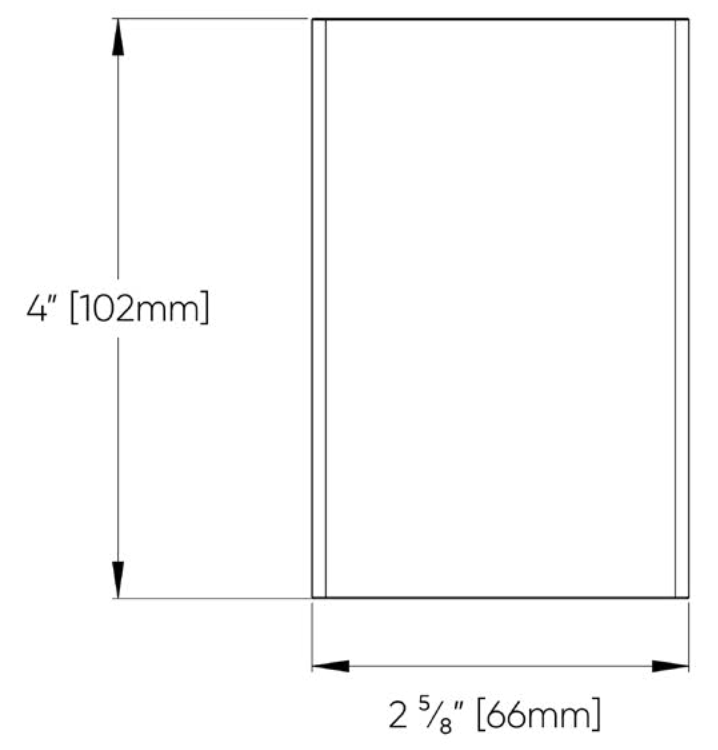




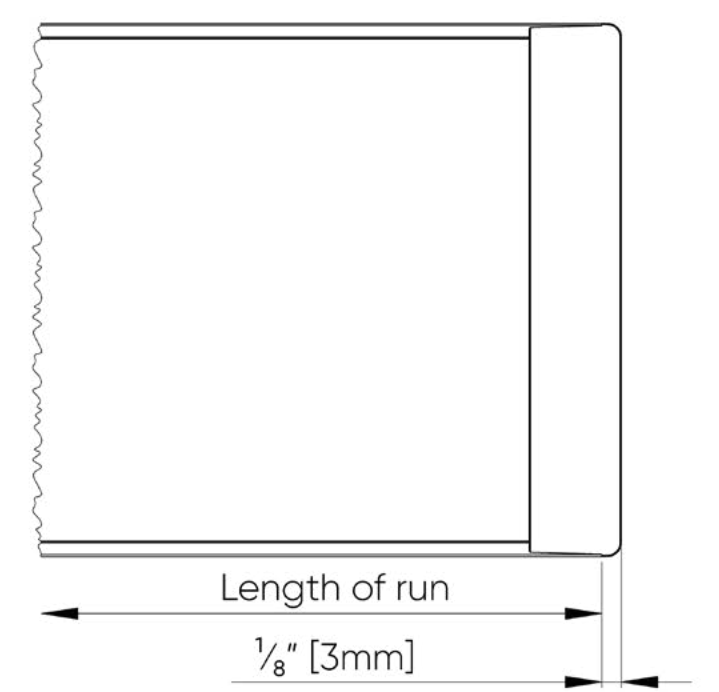
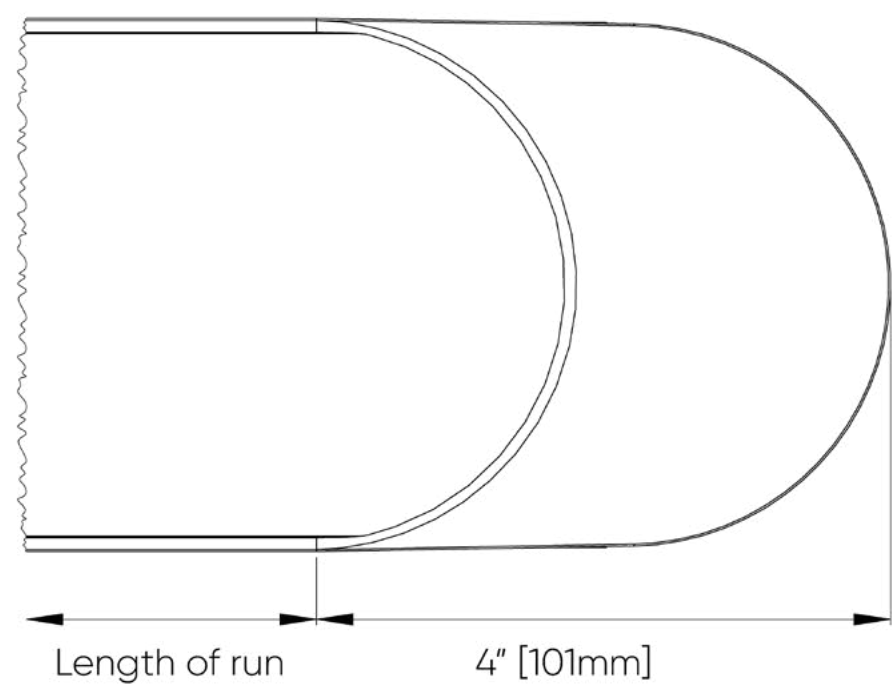
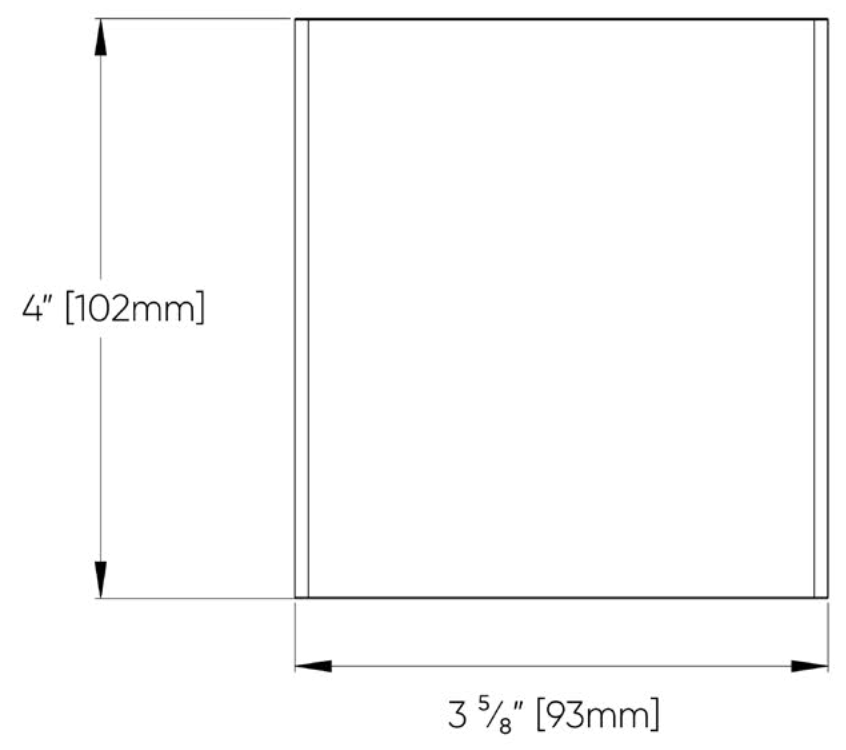
BLOCK 1.5



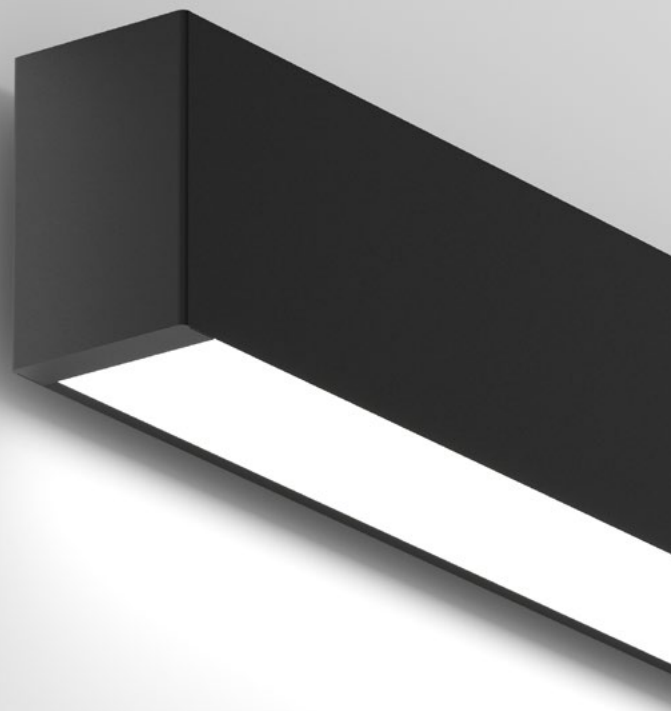
BLOCK 2.5



BLOCK 3.5

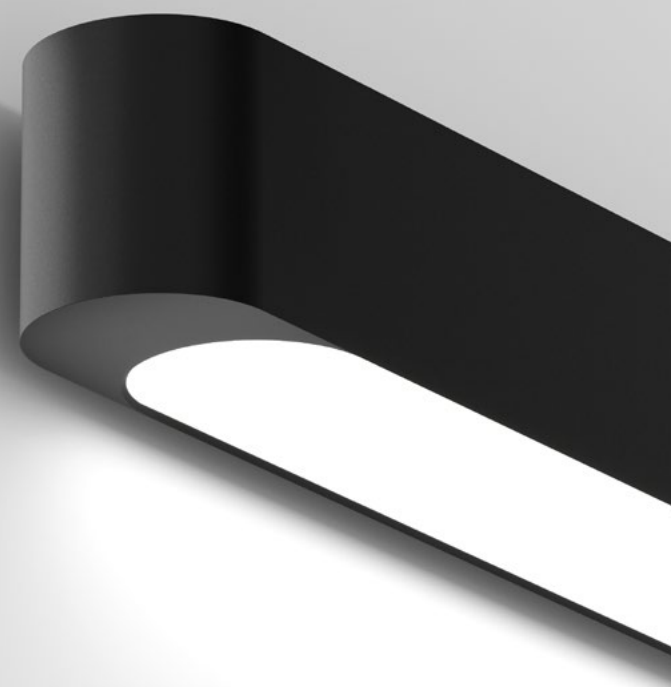


Choose the Perfect Ending



FLAT END CAP

The flat end cap delivers a clean, finished appearance that resonates with a classic architectural style. Ideal for projects that prioritize versatility and a minimalist aesthetic.



CURVED END CAP

The curved end cap introduces a subtle element of style to your design. It's well-suited for applications involving curved surfaces or for adding a refined, finished look to your project.

FINISHES

- Black Metallic Textured
- Bronze Metallic Textured
- Midnight Blue Metallic Textured
- Charcoal Metallic Textured
- Red Metallic Textured
- Gold Metallic
- Champagne Metallic
- Copper Metallic
- Silver Metallic Textured
- White
- Wood Grain - Light Cherry
- Wood Grain - Dark Walnut





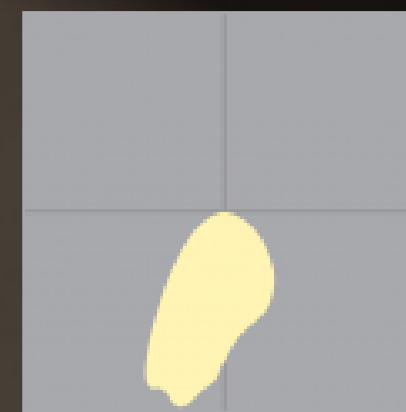
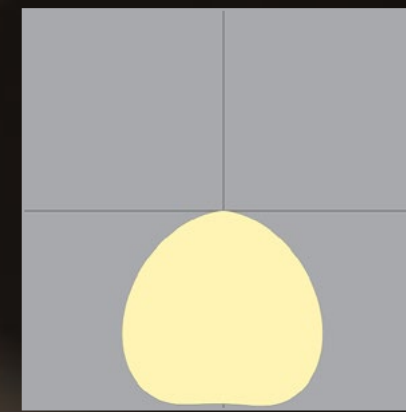
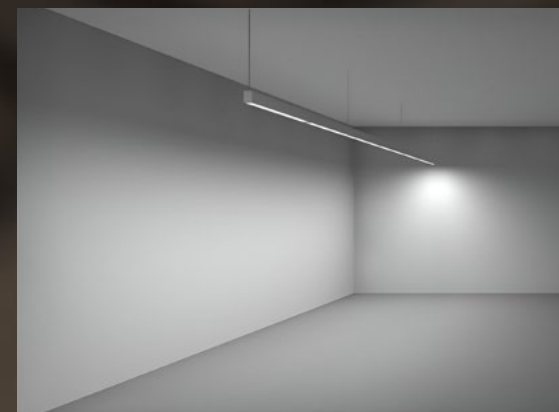
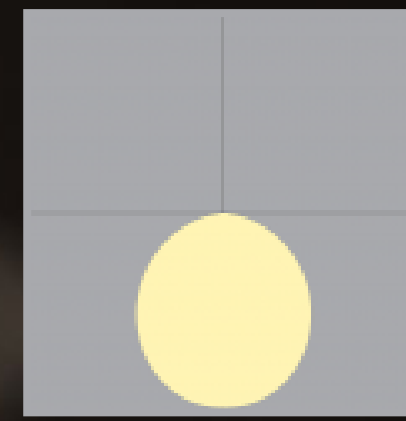
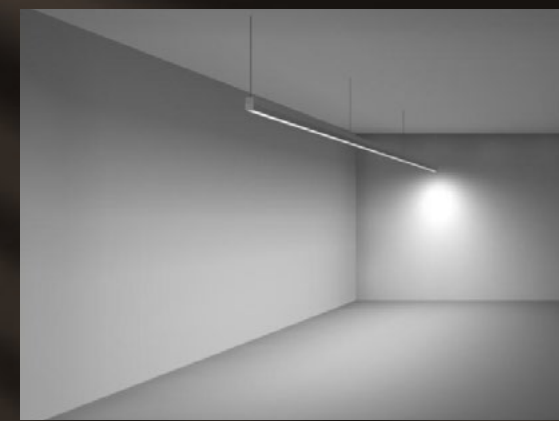
SUSPENDED

BLOCK Suspended offers the most versatility in applicability, making it ideal for a range of space layouts. Designed for high ceilings and large, open areas, these fixtures provide ambient light, perfect for lobbies, conference rooms, and open-plan offices. With 4 light distributions - Diffused, Widespread, Batwing, and Asymmetric, for both down and up light, BLOCK Suspended allows you to optimize the useful light, whether for direct illumination or by reflecting light off ceilings and walls. This reflectance increases the overall light in the space while providing glare-free illumination, delivering up to 152 LPW. With flexible light distribution and minimalist design, BLOCK ensures functional lighting that adapts to diverse architectural designs.

SUSPENDED OPTICS



Direct



Diffused:

Provides soft, uniform light, reduces glare, and is ideal for spaces requiring consistent, comfortable illumination. Indirect lighting spreads light evenly, minimizing ceiling glare and enhancing ambient brightness, perfect for creating a welcoming atmosphere.

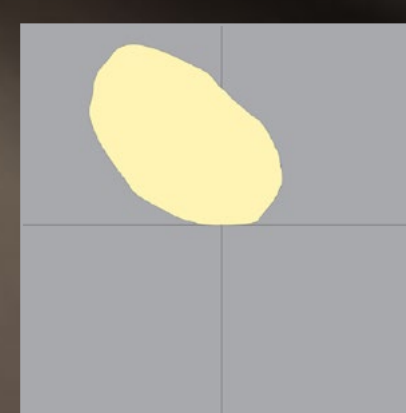
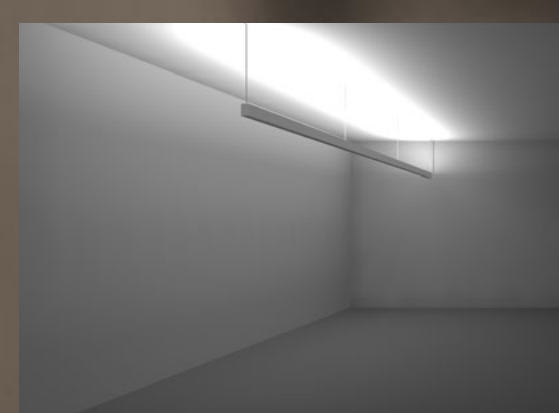
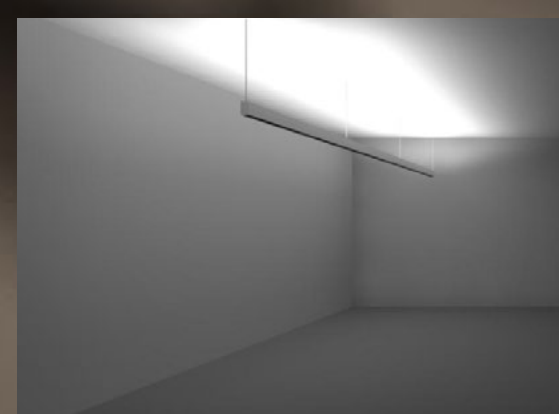
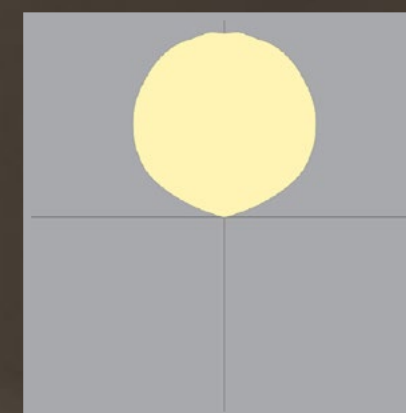
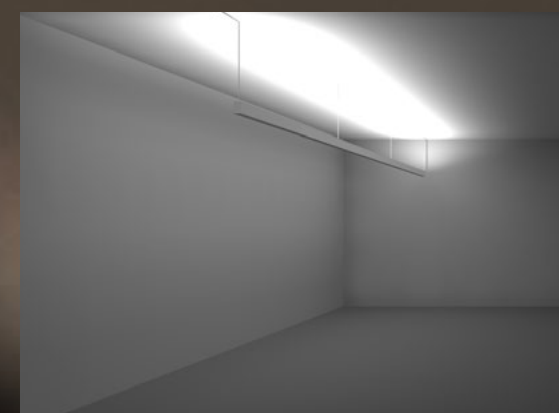
Widespread:

Delivers broad, even light distribution with minimal glare, reducing the number of fixtures needed. Ideal for large open spaces such as offices, lobbies, or classrooms where consistent, balanced illumination is required.

Asymmetric:

Offers precise lighting for targeted areas, perfect for perimeter lighting, wall washing, and accent lighting. For indirect use, it directs light at an angle to enhance walls and add spaciousness, ideal for indirect wall washing and highlighting architectural features.

Indirect



Diffused:

The opal diffuser for indirect lighting ensures smooth and even light distribution, reducing ceiling glare and enhancing ambient brightness. Perfect for creating a welcoming atmosphere with gentle, reflected light.

Batwing:

Delivers a 120° beam, distributing light upward toward the ceiling and reflecting it back into the space. This creates balanced, glare-free ambient lighting, ideal for classrooms, offices, and workspaces.

Asymmetric:

The asymmetric optic for indirect lighting directs light at an angle, enhancing wall surfaces and creating a sense of spaciousness. It provides dynamic lighting effects with balanced light spread. Ideal for indirect wall washing and enhancing architectural elements.



Efficient Lighting for Effective Learning

Equipped with the new Widespread optic, BLOCK allows for broader spacing between luminaires, reducing the overall number needed to illuminate a space—an ideal solution for budget-conscious educational projects. The optional 120° Batwing optic for indirect lighting enhances this feature by evenly illuminating the ceiling, reflecting soft, glare-free light back into the room to elevate the ambient light levels. The curved end caps add a smooth, modern touch, making the classroom environment more welcoming and conducive to learning. This integration of functional lighting and thoughtful design ensures a comfortable, efficient space that enhances both visibility and student engagement.



Seamless Precision at Every Angle

BLOCK's corner joint exemplifies meticulous craftsmanship, delivering a flawlessly clean corner that ensures a consistent visual flow throughout your lighting installation. The smooth, uninterrupted lines maintain cohesion, integrating seamlessly with any architectural space, focusing purely on functionality and precision.



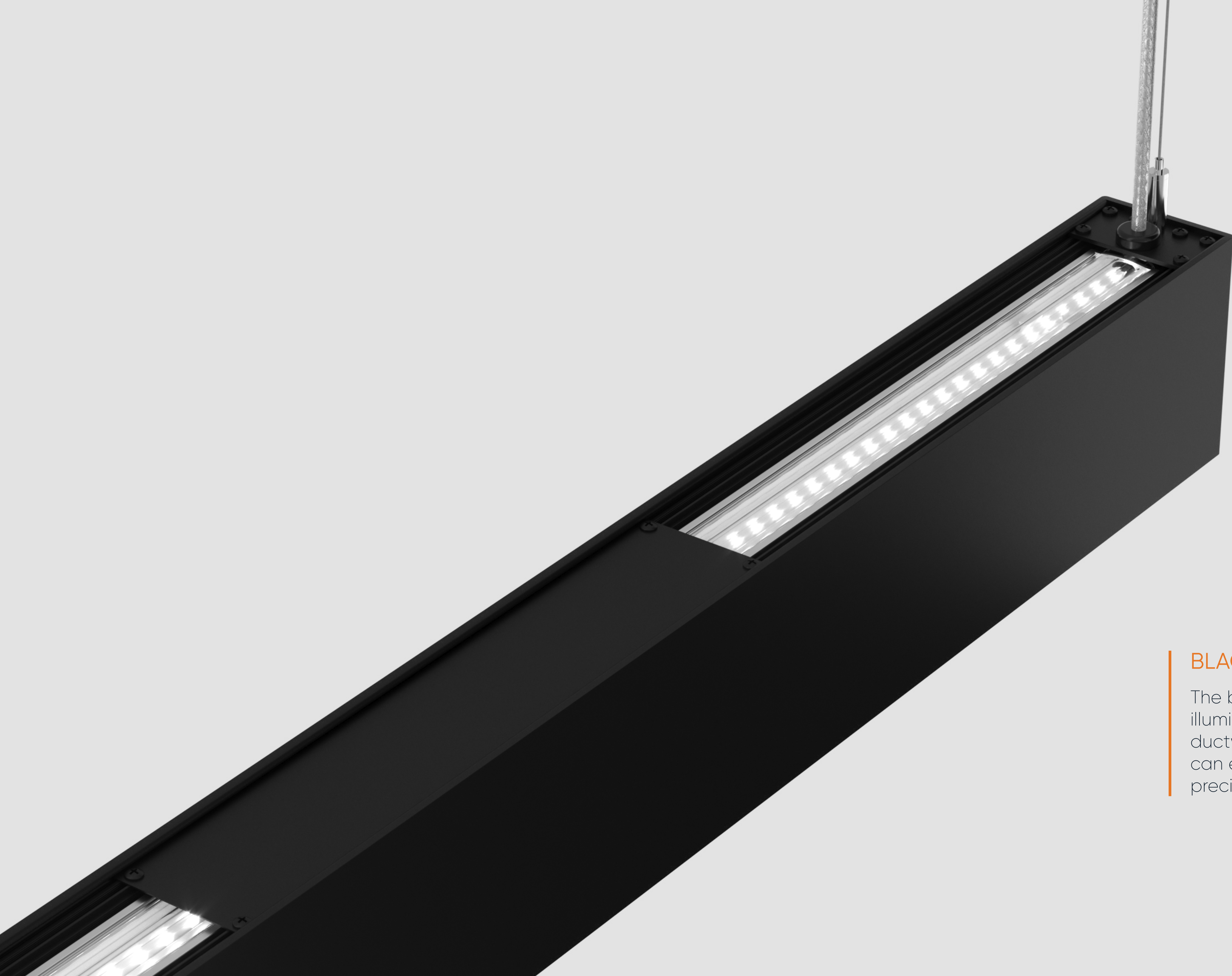




Continuous Perfection

Continuous Run Connection

Achieve uninterrupted brilliance with the Eclipse Joint. Our advanced interlocking extrusion design, paired with the innovative rollout lens, ensures zero light leakage for seamless illumination. This combination transforms linear lighting into a canvas of pure, continuous light.



BLACKOUT PLATE

The blackout plate blocks light from illuminating unflattering ceiling areas such as ductwork. It comes in one-foot sections and can easily slide along the top of the fixture for precise placement.



CONNECTED VERSATILITY

BLOCK luminaires offer an adaptable solution for seamless integration with a wide range of wireless control systems, including Avi-On, Casambi, Enlighted, Lutron Vive, nLight, NX Lighting Controls, Osram, and Philips. Experience the power of choice and intelligent lighting control for your project.



Unstoppable Light

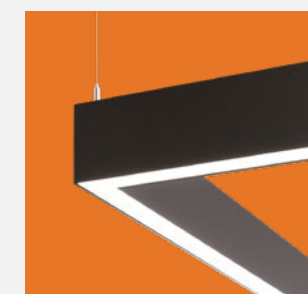
The Power of Three

BLOCK redefines continuous illumination with a trifecta of innovations that ensure unstoppable light across any architectural space.



1. SEAMLESS CONNECTIVITY

The heart of BLOCK's seamless illumination lies in its advanced Eclipse Joint. This innovative connector guarantees perfect alignment and secure connections between fixtures, eliminating light leaks and ensuring a consistent, uninterrupted glow throughout extended runs.



2. PRECISION-CRAFTED CORNERS

BLOCK's precisely engineered corners create a sleek, continuous form that enhances the seamless flow of light across your space. The streamlined design ensures aesthetic unity and minimizes visual disruptions, allowing the light to integrate into the architecture without drawing undue attention.



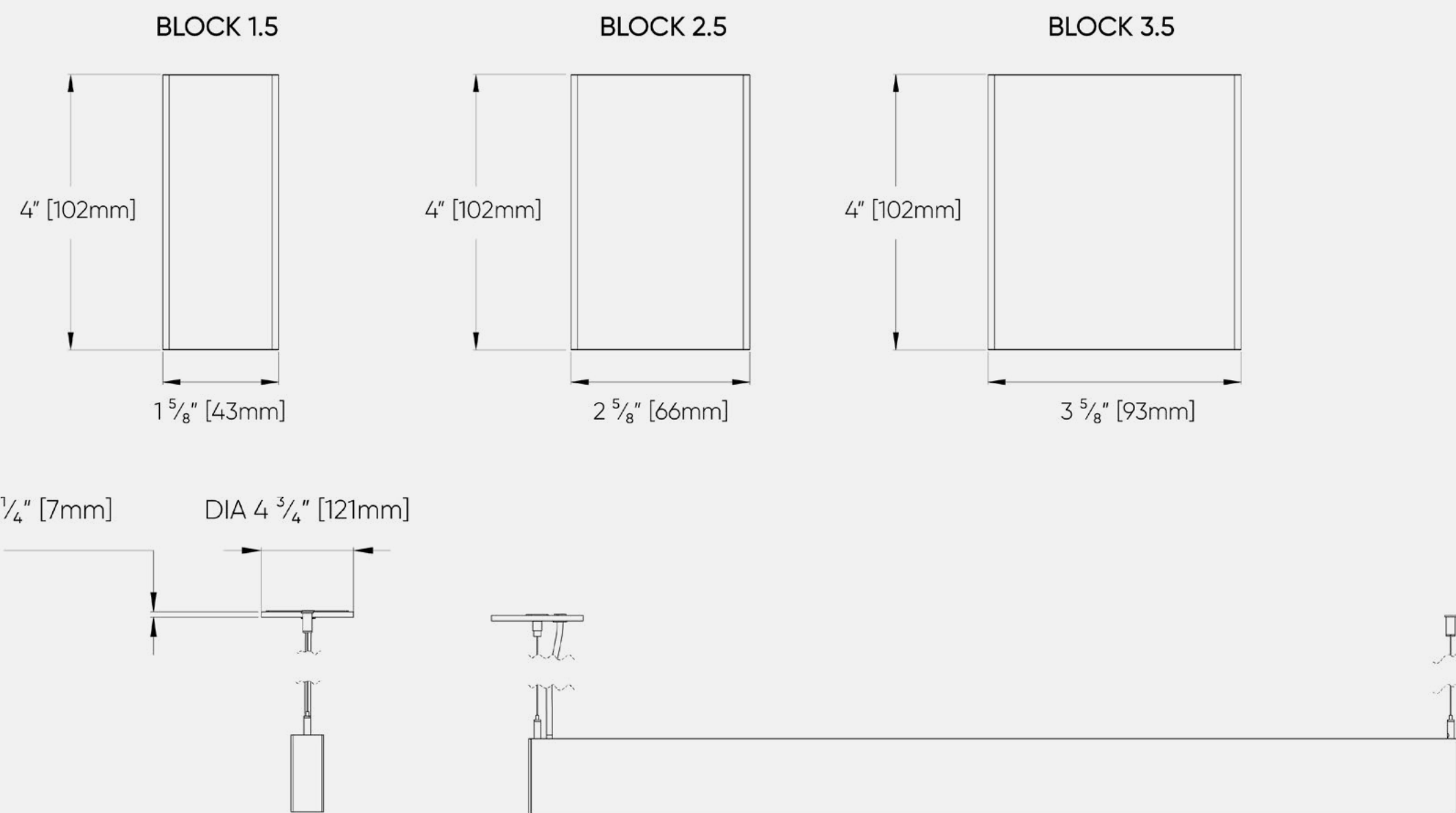
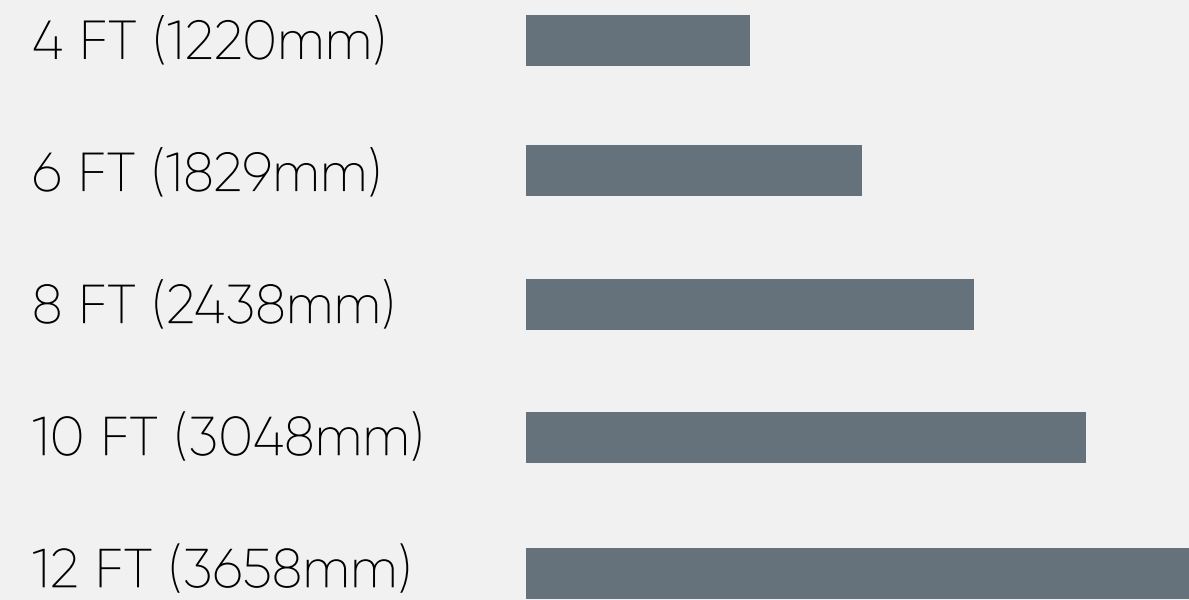
3. ROLLOUT LENS FOR UNIFORM ILLUMINATION

The rollout lens is the finishing touch that transforms BLOCK into a beacon of unstoppable light. Designed for flawless, shadow-free illumination, this lens ensures uniform light distribution, maintaining the integrity of your lighting design from end to end.

DIMENSIONS

BLOCK Suspended can be configured as a continuous run up to 50ft on a single circuit. Start with a minimum length of 4ft and add increments of 2ft.

Section Lengths

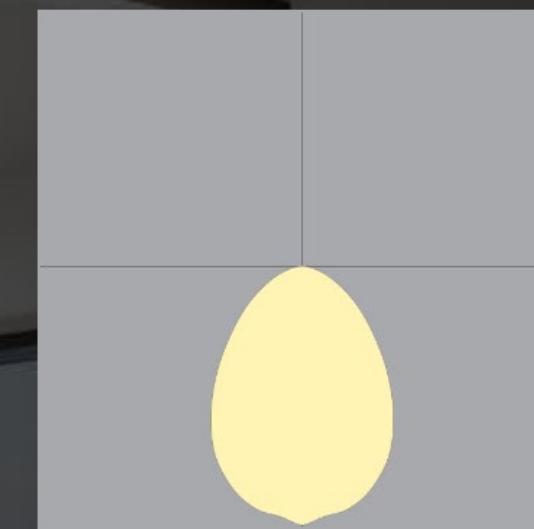
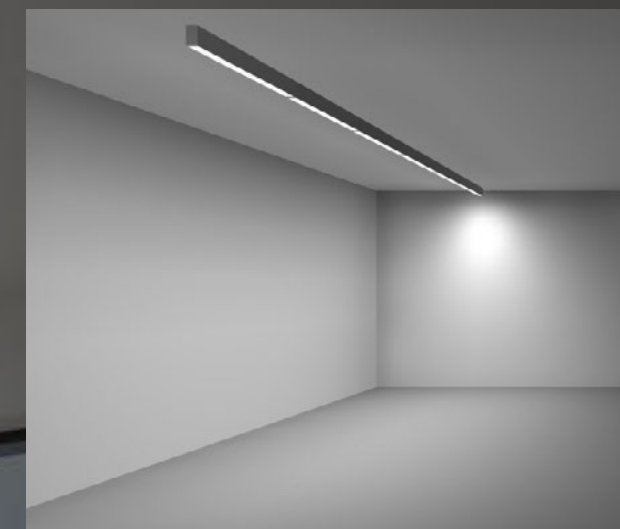




CEILING

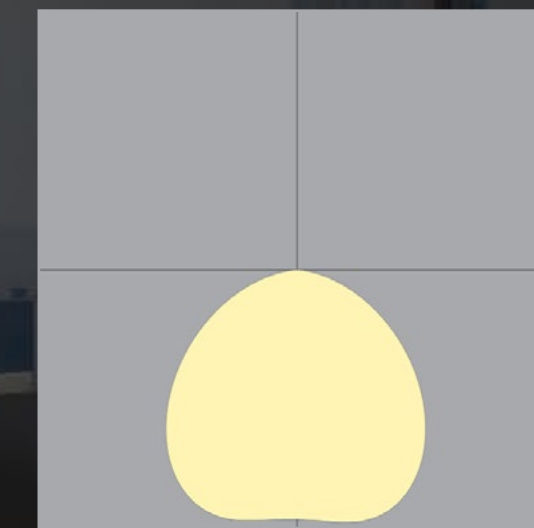
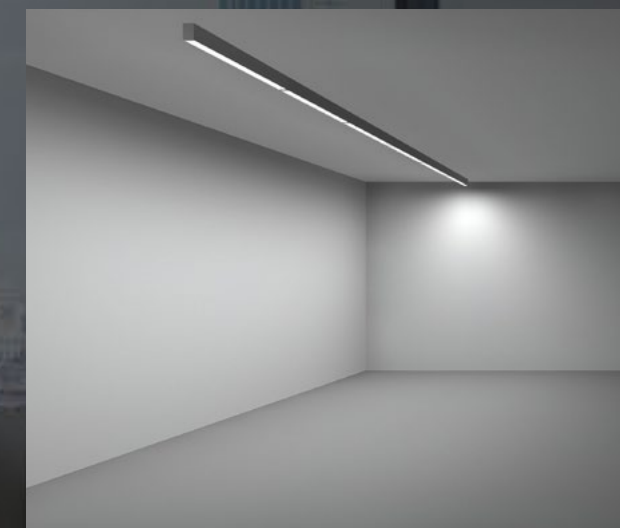
Ideal for spaces with standard ceiling heights, BLOCK Ceiling offers reliable performance and a minimalist appearance. With the higher visibility of the luminaire, consider the curved end cap for a softer, more contemporary aesthetic. Easy to install and maintain, these fixtures deliver practical lighting solutions for workspaces, offices, and corridors where functionality is critical.

CEILING OPTICS



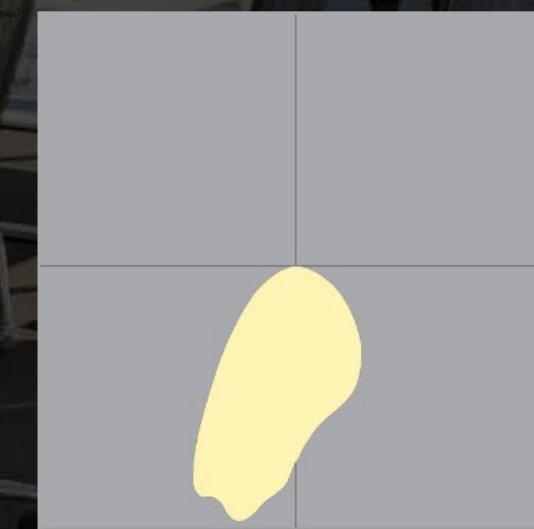
Diffused:

Provides uniform, soft light, optimizing visual comfort and reducing glare. Ideal for low-profile spaces that require efficient, even illumination.




Widespread:

Delivers broad, even light distribution that ensures fewer fixtures are needed for continuous, consistent lighting across larger rooms or corridors. Ideal for spaces that demand functional, efficient lighting.



Asymmetric:

Targets light distribution, ideal for perimeter illumination and accent lighting. It minimizes glare while highlighting specific areas, making it perfect for corridor lighting, task lighting, and wall washing.

The image features two sleek, black, curved light fixtures mounted on a white surface. Each fixture is illuminated from within, creating a bright, glowing line of light. The fixtures are positioned diagonally, one above the other, and their rounded ends are visible. The overall aesthetic is minimalist and modern.

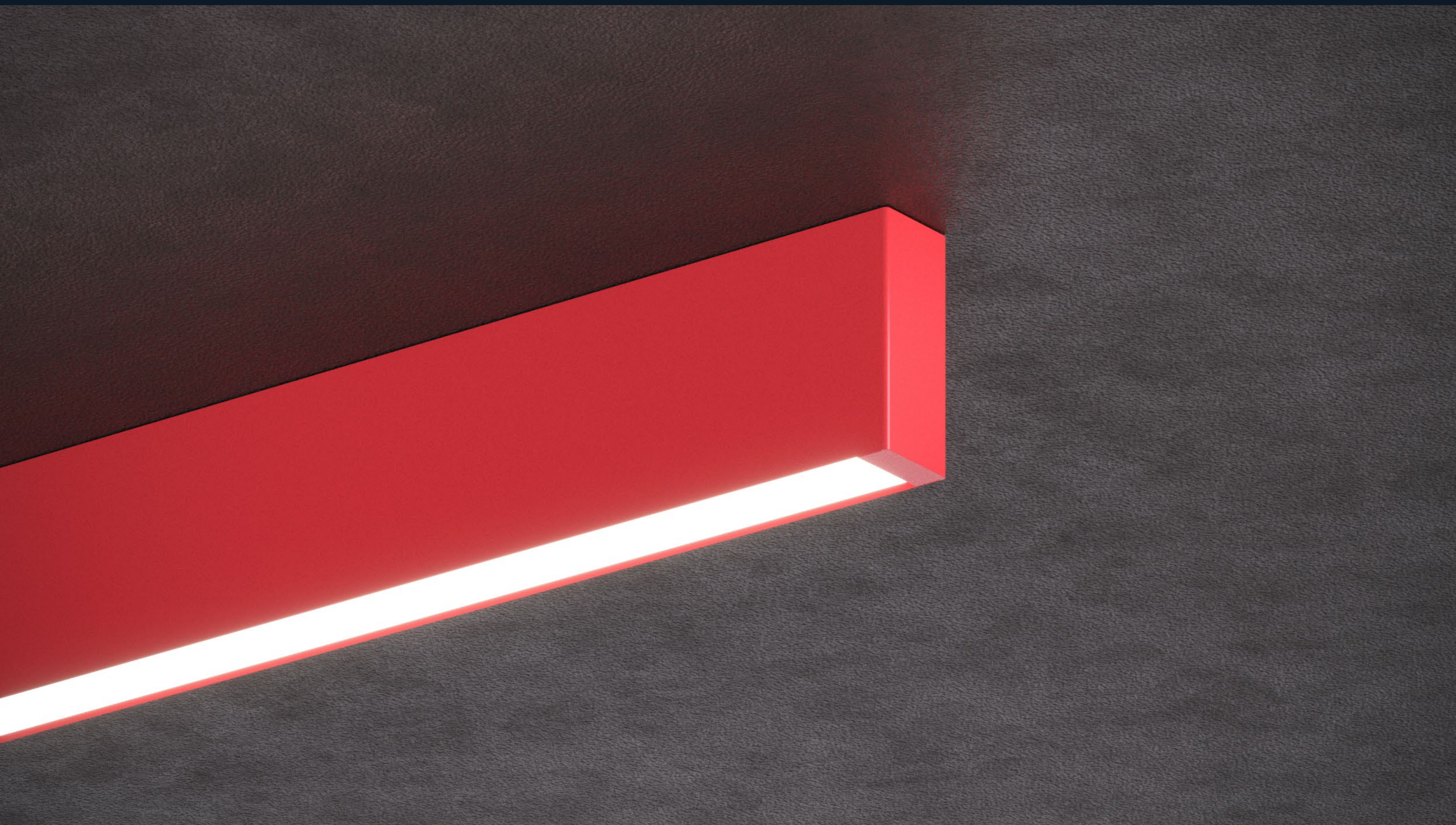
Minimalist Design, Maximum Impact

BLOCK's narrow 1 ½" profile with rounded end caps enhances your space with a clean, minimalist aesthetic without sacrificing performance. This streamlined fixture integrates seamlessly into modern designs, adding sleek, unobtrusive lines that elevate the overall look. Despite its compact size, it delivers powerful lighting at 121 LPW, ensuring both efficiency and impact. The rounded end caps provide a subtle, sophisticated touch, making this profile perfect for environments that demand both visual appeal and high performance.



DYNAMIC DESIGN IN MOTION

The vibrant red linears introduce a bold architectural statement in this fitness center, energizing the space with a striking contrast. Positioned to guide movement and emphasize structure, BLOCK turns the gym into a dynamic, visually stimulating environment.



MAGNETIC SIMPLICITY

Engineered for simplicity and security, BLOCK's innovative magnetic end caps ensure perfect alignment and a secure attachment. With a robust design, the end caps snap effortlessly into place, eliminating the need for complex tools or adjustments. It's a hassle-free setup designed to streamline the installation process.

ARCHITECTURAL SYNERGY

BLOCK Ceiling enhances the clean lines of this modern kitchen and lounge, delivering focused illumination that defines each space. The geometric arrangement complements the minimalist design, creating a harmonious blend of light and architecture that elevates both form and function.





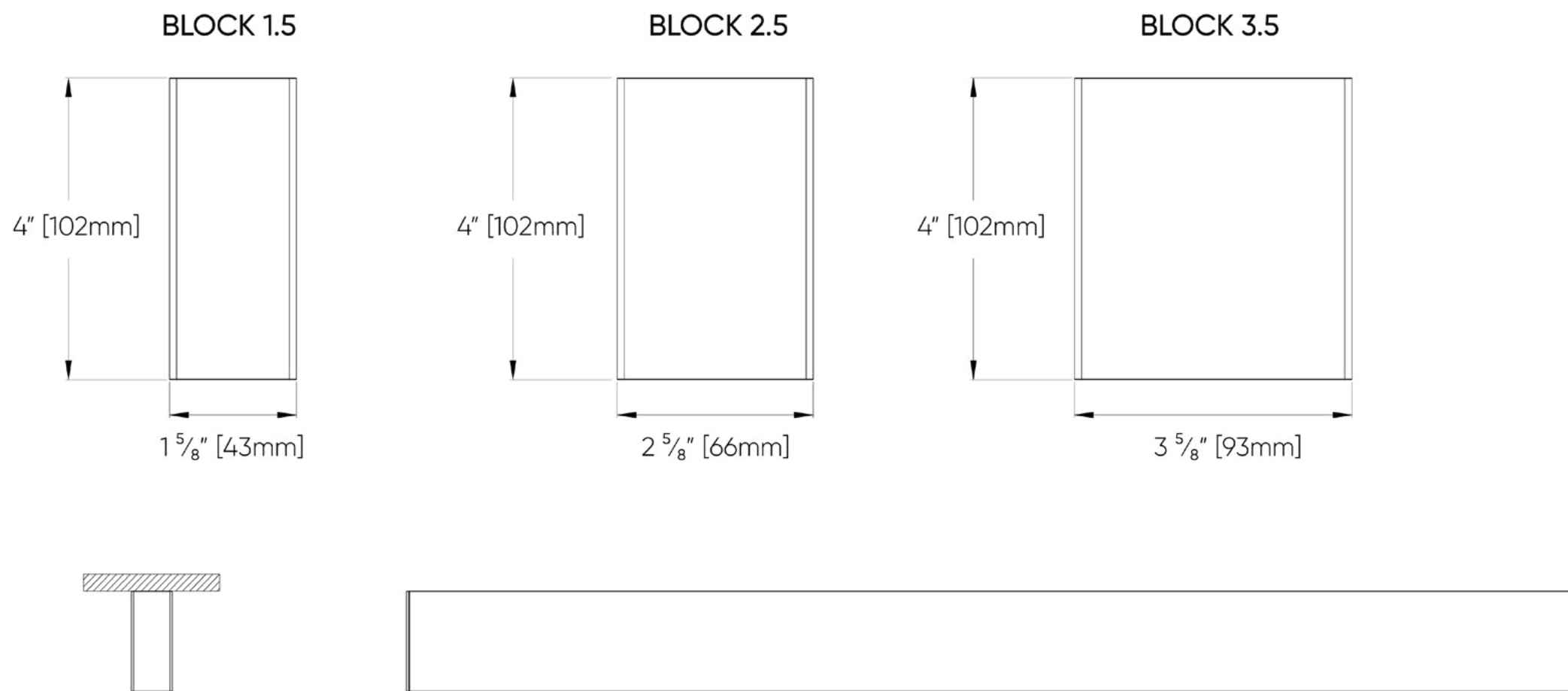
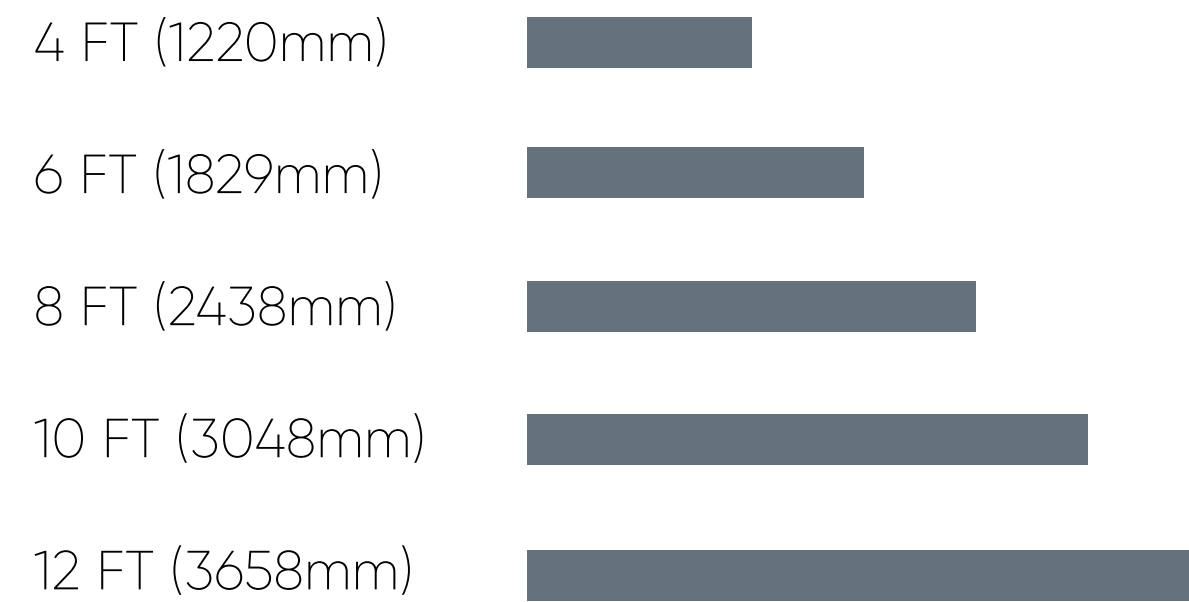
Merge modern design with natural beauty. For wood slat ceiling integration, consult our factory.



DIMENSIONS

BLOCK Ceiling can be configured as a continuous run up to 50ft on a single circuit. Start with a minimum length of 4ft and add increments of 2ft.

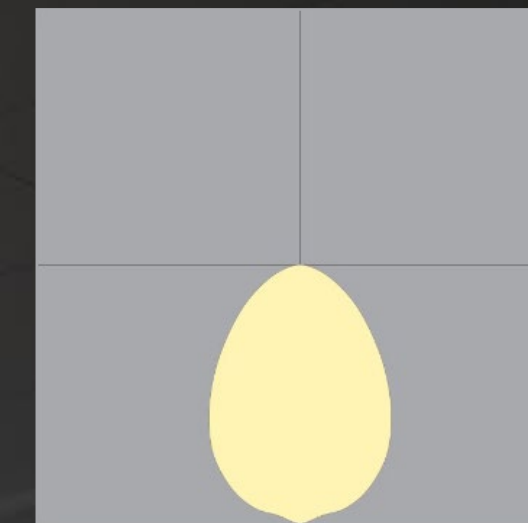
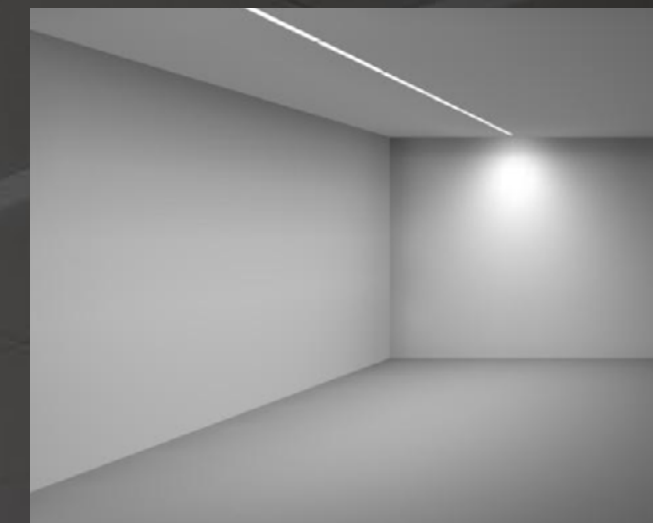
Section Lengths



RECESSED

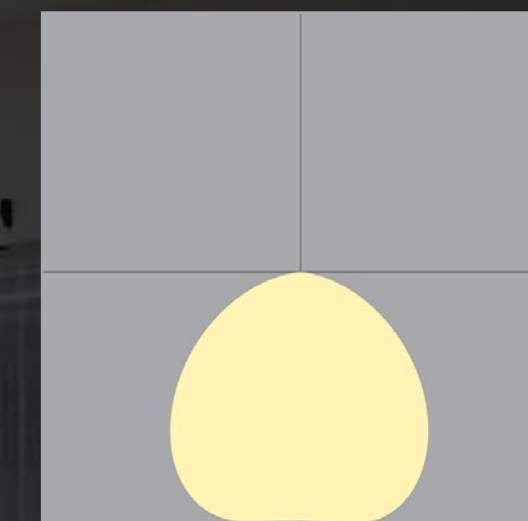
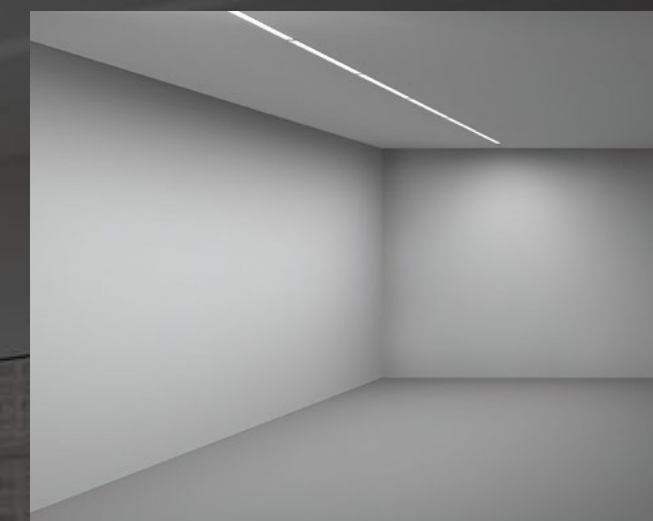
Achieve a clean, unobtrusive look with our BLOCK Recessed. The trimless profile offers a seamless aesthetic, ideal for modern offices, galleries, and retail environments that demand the sophisticated aesthetic of clean lines. Enhanced by a rollout lens for even light distribution with no light leaks, this contemporary design focuses on the light effect, not the luminaire itself, contributing to a truly minimalist look. For more straightforward installations, BLOCK Recessed is available with a trim for drywall ceilings, and T-bar fittings for grid ceilings. Available in standard lengths or continuous run installations, BLOCK ensures a precise fit for your design vision.

RECESSED OPTICS



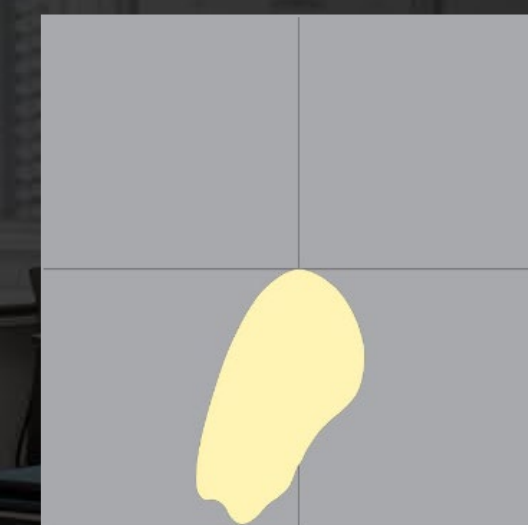
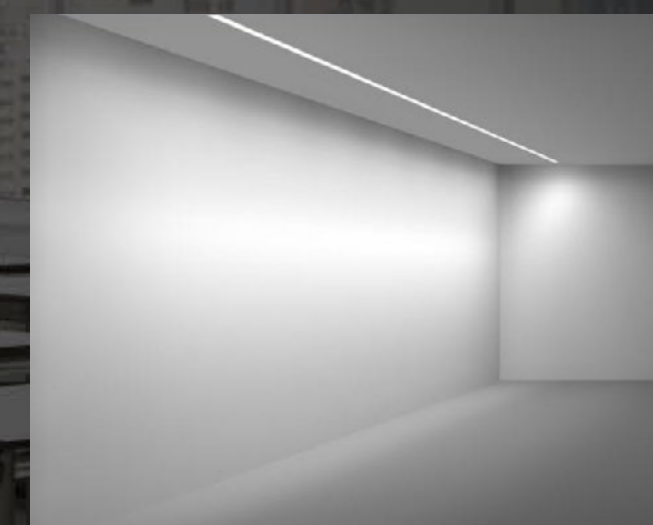
Diffused:

Provides seamless, soft light with minimal glare, ensuring high-quality, uniform illumination. Ideal for applications requiring discreet, effective lighting.



Widespread:

Delivers broad, uniform light coverage with minimal glare, effectively reducing the number of fixtures needed in large, open spaces. Perfect for offices, lobbies, and high-traffic areas requiring consistent illumination.



Asymmetric:

Skews lighting for perimeters and accents, providing precise illumination that highlights architectural features and reduces shadows. Ideal for task lighting, conference room walls, and corridor lighting.

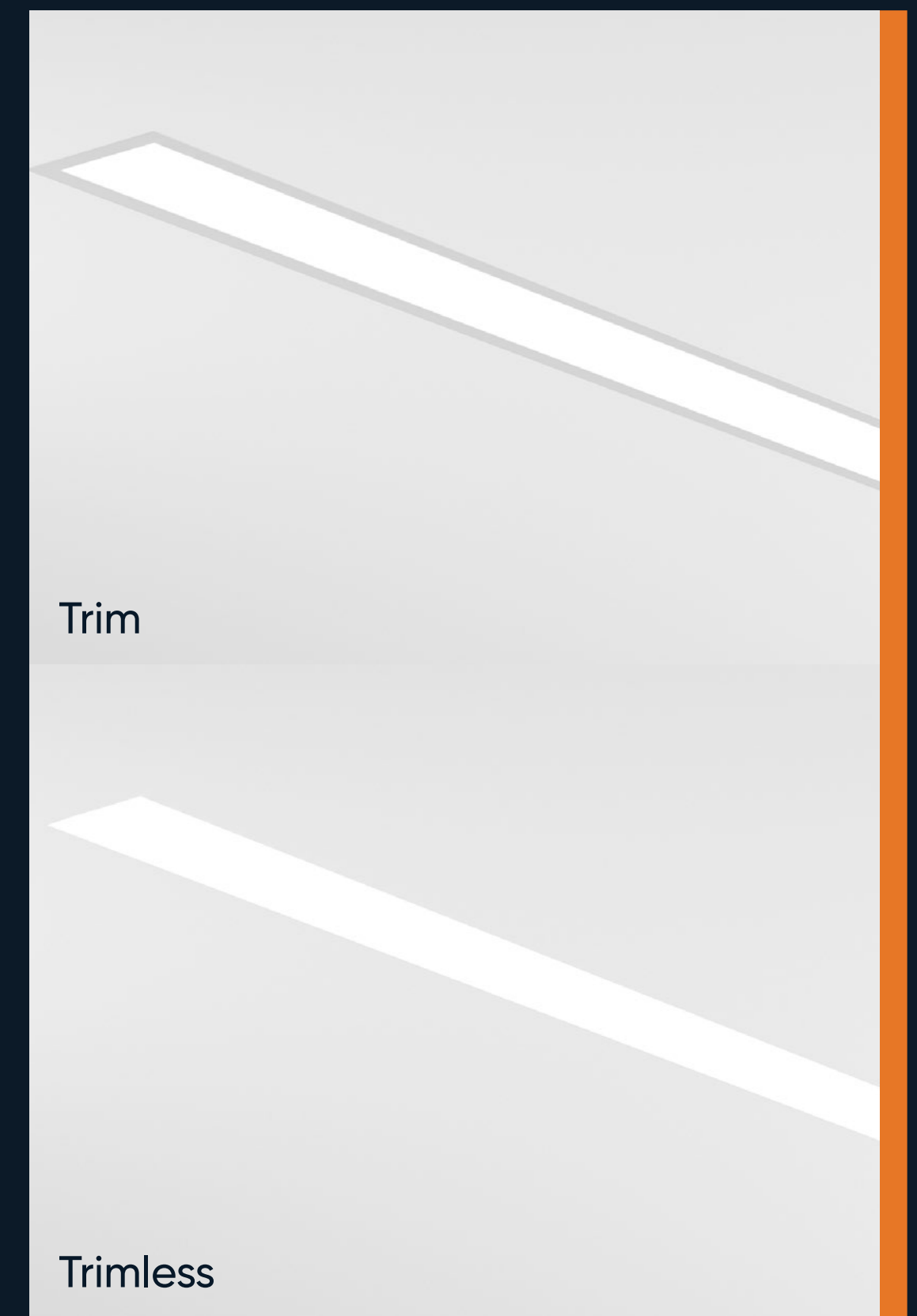
CEILING TYPES & TRIMS



1

GRID CEILING

Fits standard 9/16" or 15/16" T-bar systems.
Includes provisions for secondary support.
All metalwork in white finish.



2

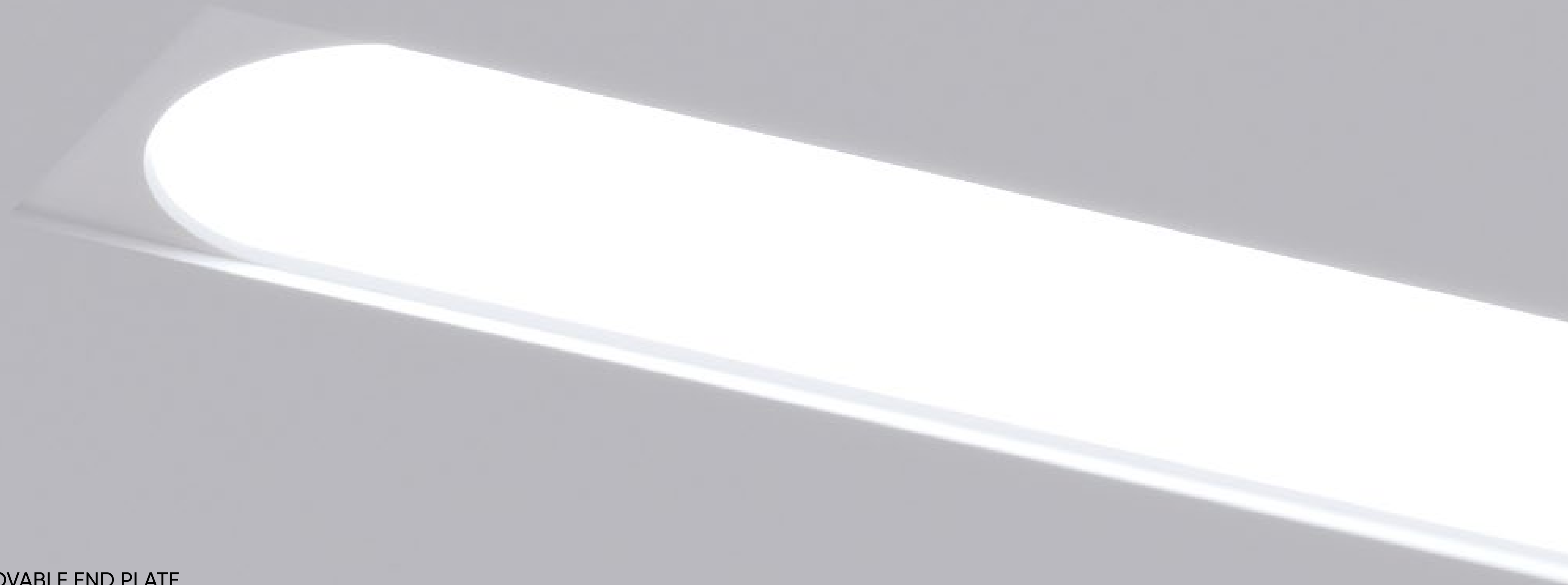
HARD CEILING

Suitable for drywall ceilings. Trim is
available in white or black finish.

Uniform Illumination with Our Rollout Lens
Achieve perfect uniformity across expansive linear runs with BLOCK's rollout lens. Designed for even illumination with lasting stability, the press-in lens ensures consistent, seamless lighting throughout your project.







SMART DESIGN WITH REMOVABLE END PLATE

BLOCK Recessed features a removable end plate that eliminates light leaks, ensuring uniform illumination from end to end. Serviceable from below, BLOCK prioritizes easy maintenance for lasting performance and sustainability.



BLOCK

ILLUMINATING COLLABORATION

BLOCK luminaires in this open meeting space bring clarity and focus. Their streamlined profile integrates effortlessly with the architectural design, providing uniform lighting that supports both individual tasks and collaborative efforts, making the space functional and visually appealing.



ARTFUL LIGHTING



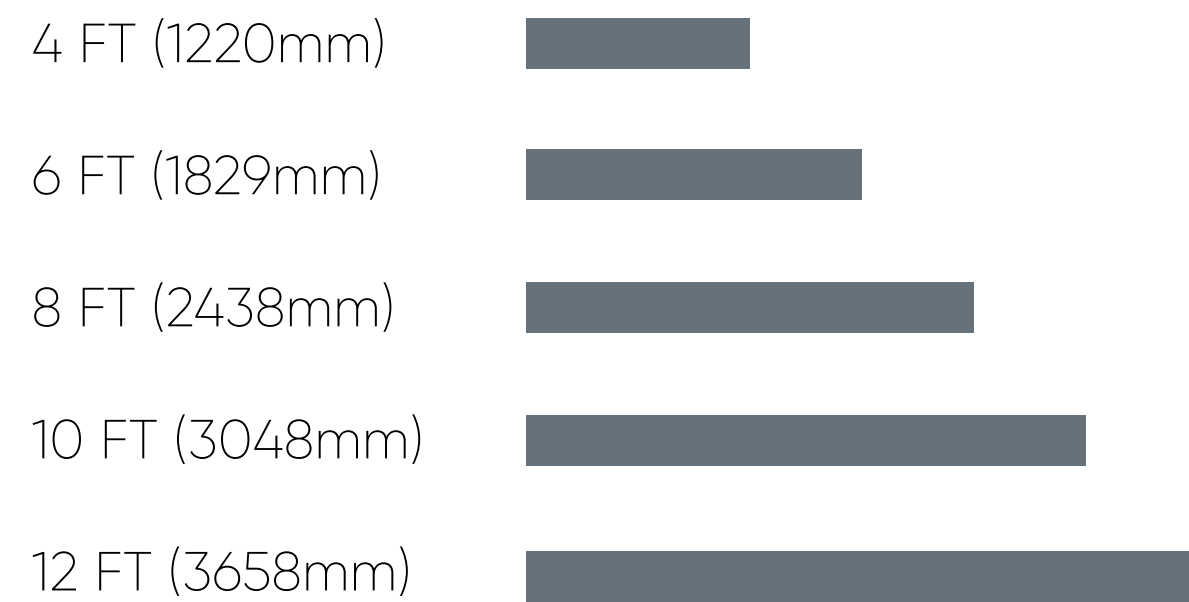
MODERN RETAIL PRECISION

BLOCK Recessed in this retail environment accentuates the clean, contemporary architecture. Strategically placed to highlight pathways and key areas, the luminaires enhance the contemporary design language, providing both guidance and ambiance throughout the space.

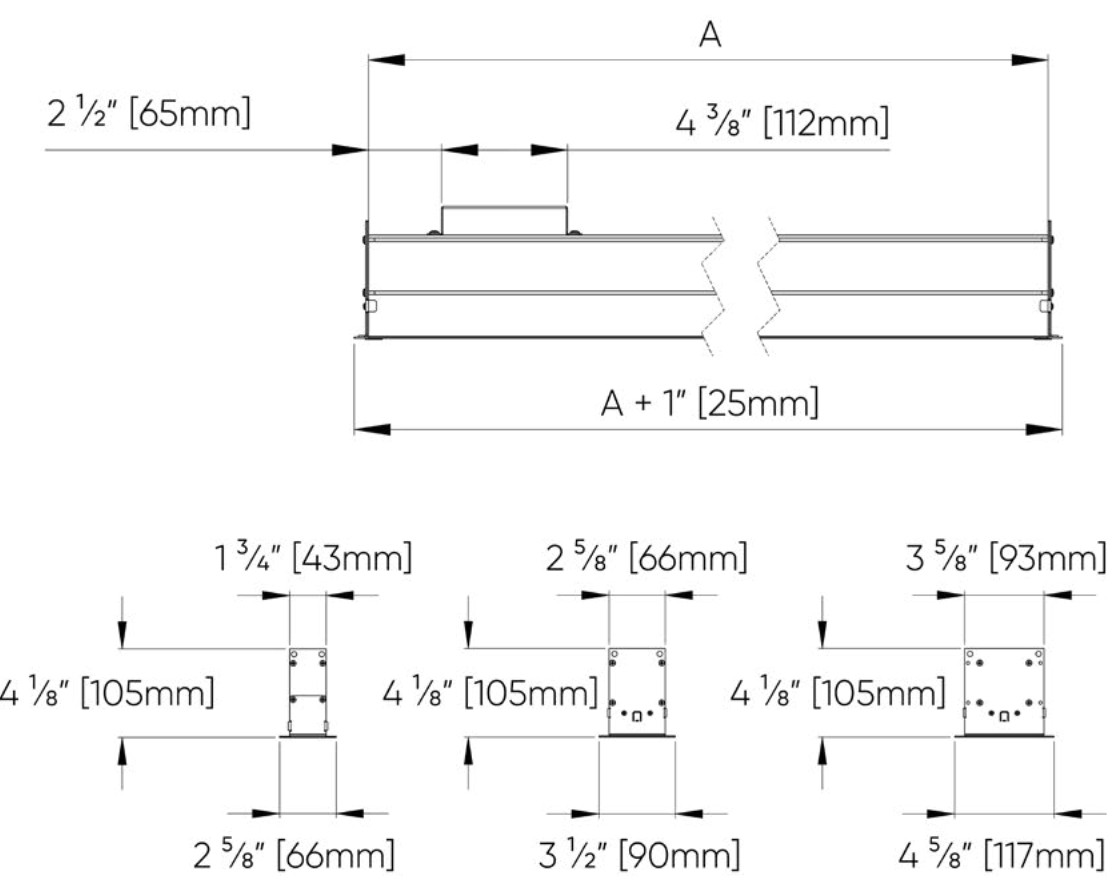
DIMENSIONS

BLOCK Recessed can be configured as a continuous run up to 50ft on a single circuit. Start with a minimum length of 4ft and add increments of 2ft.

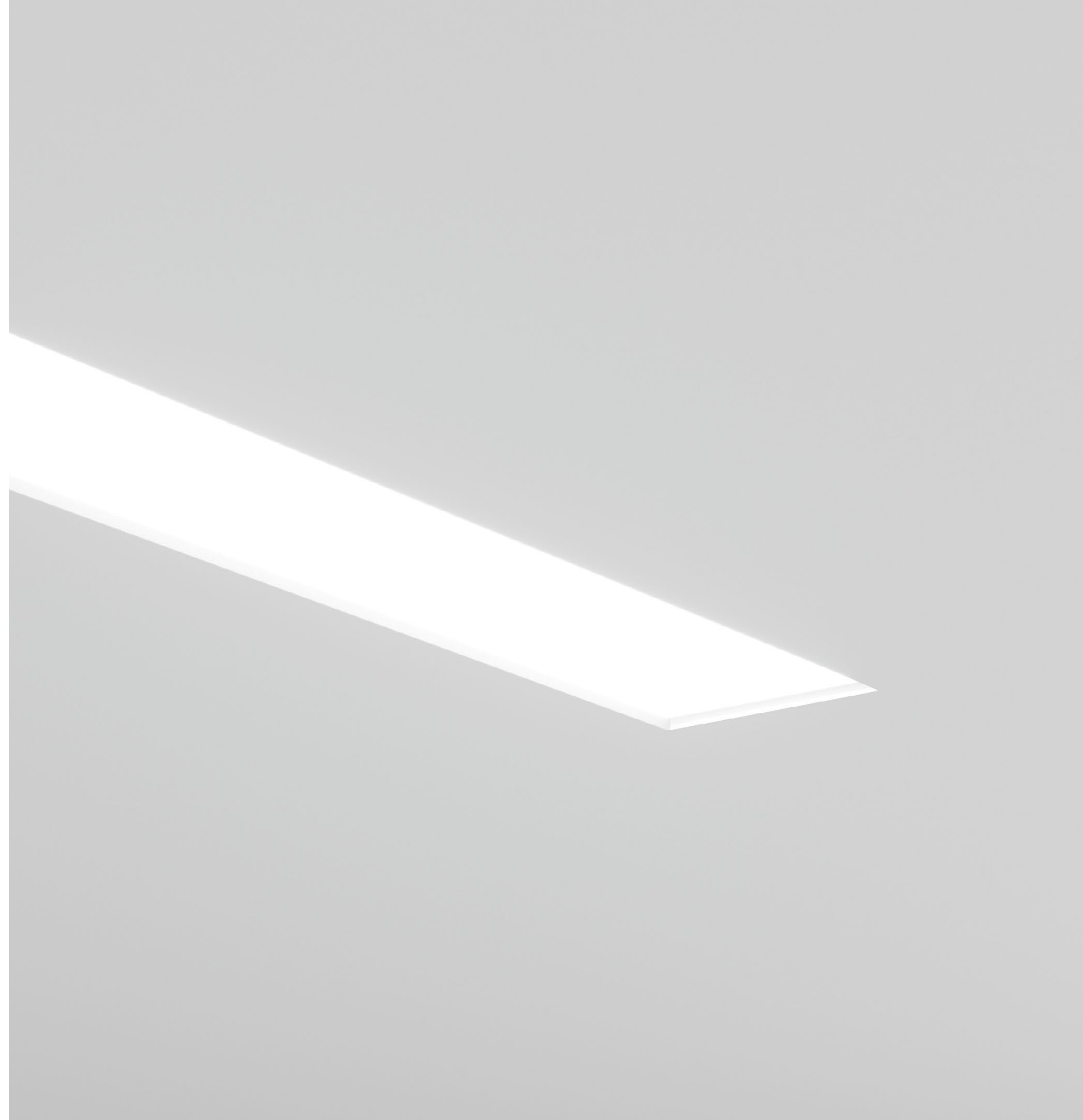
Section Lengths



Hard Ceiling - Trim



HARD CEILING	
Max Length (Per Section)	A
4ft	48" [1219mm]
6ft	72" [1829mm]
8ft	96" [2438mm]
10ft	120" [3048mm]
12ft	144" [3658mm]

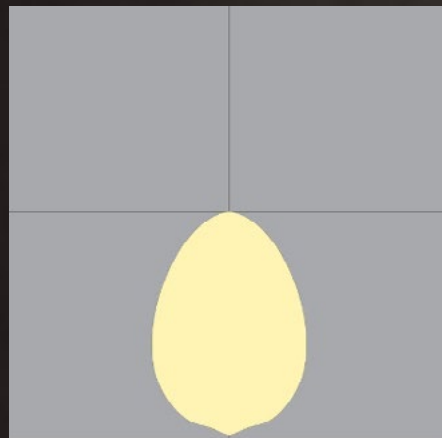


A modern interior hallway with a wooden slat ceiling, a staircase with a perforated metal railing, and a long wall-mounted light fixture. The hallway is bright and airy, with large windows on the right side. The ceiling is made of horizontal wooden slats, and the walls are white. A long, narrow light fixture is mounted on the wall, providing soft, indirect lighting. The floor is a light color, and there are several doors along the hallway. A staircase with a perforated metal railing is visible on the left side.

WALL

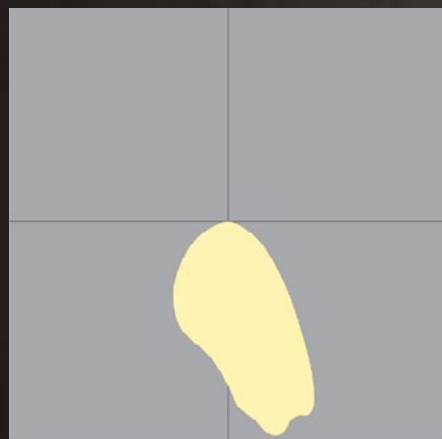
BLOCK Wall expands the design vocabulary for projects demanding the soft, glare-free illumination offered by indirect lighting or for spaces where mounting to the ceiling is not feasible. Ideal for corridors, stairwells, and perimeter lighting, BLOCK Wall adds an additional layer to the architectural tapestry. Opt for the asymmetric diffuser for focused floor coverage in hallways or to reflect light off the adjacent ceiling. BLOCK Wall's versatility makes it a valuable tool for creating diverse lighting designs.

WALL OPTICS



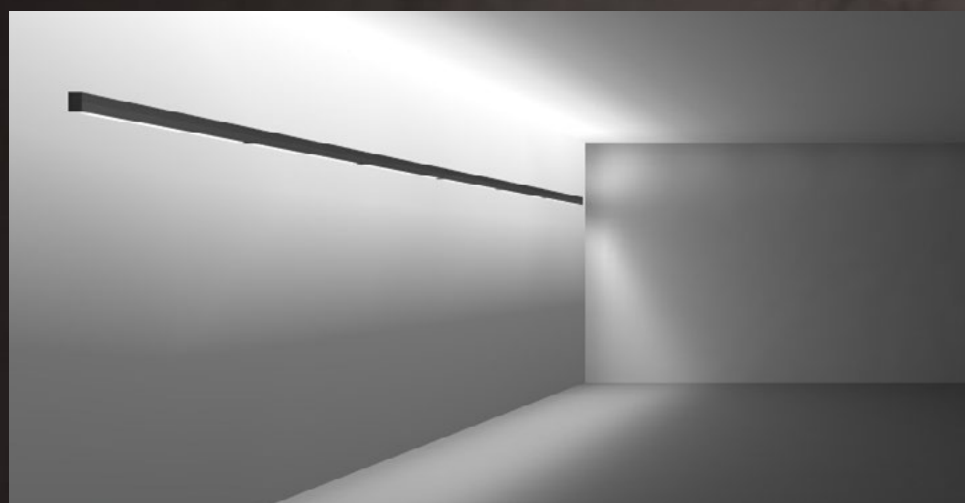
Diffused:

The opal diffuser provides soft, diffused light that reduces glare and enhances visual comfort on walls. It ensures smooth, even indirect lighting, reducing glare and improving ambient brightness for a comfortable atmosphere.



Asymmetric:

The asymmetric optic delivers focused, angled light for direct and indirect lighting, perfect for wall washing and accent lighting. Indirectly, it reflects light off ceilings, enhancing architectural features and adding depth and spaciousness.



Skew the light for specific tasks, such as illuminating walls, thereby enhancing the ambient lighting.







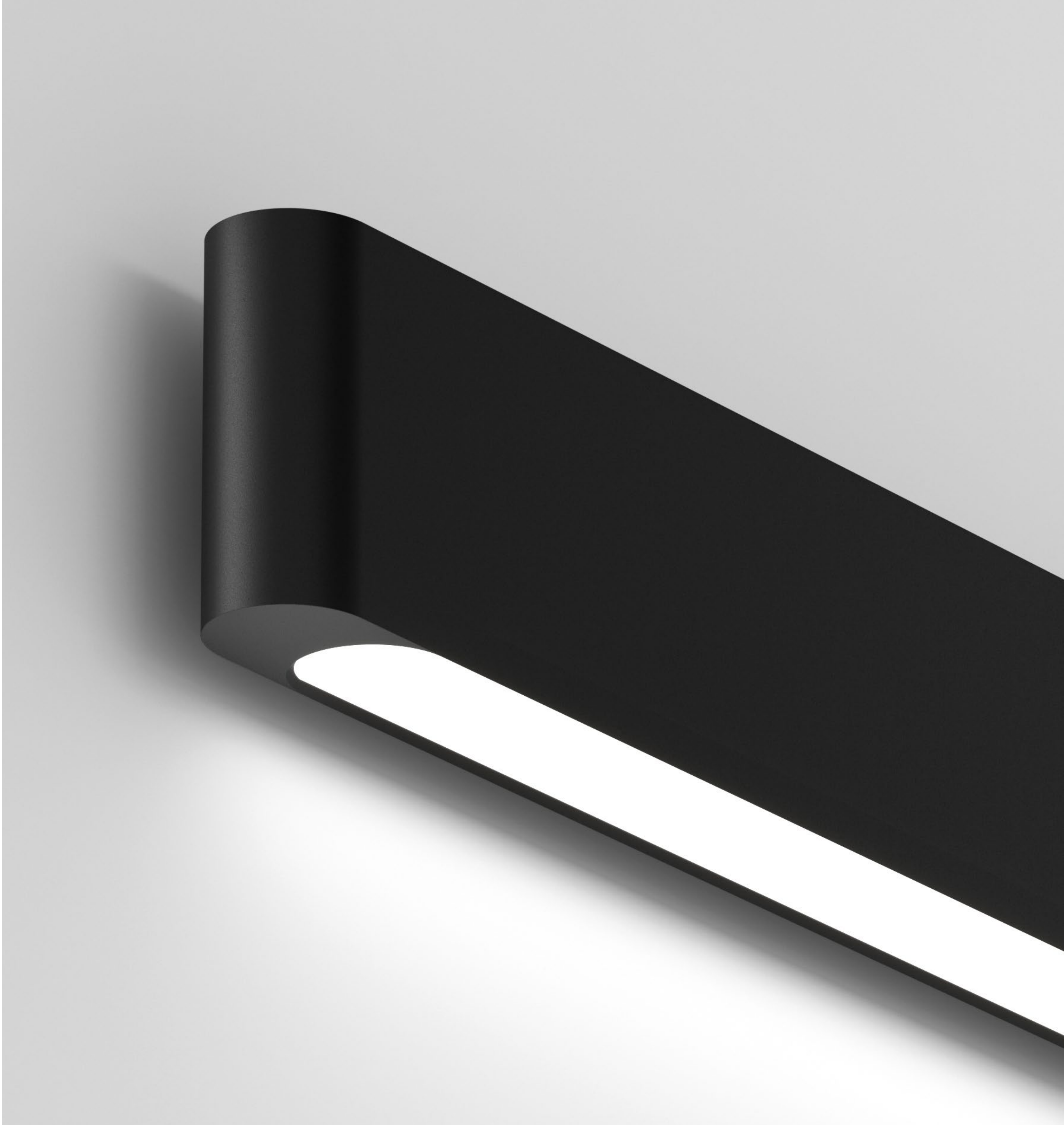
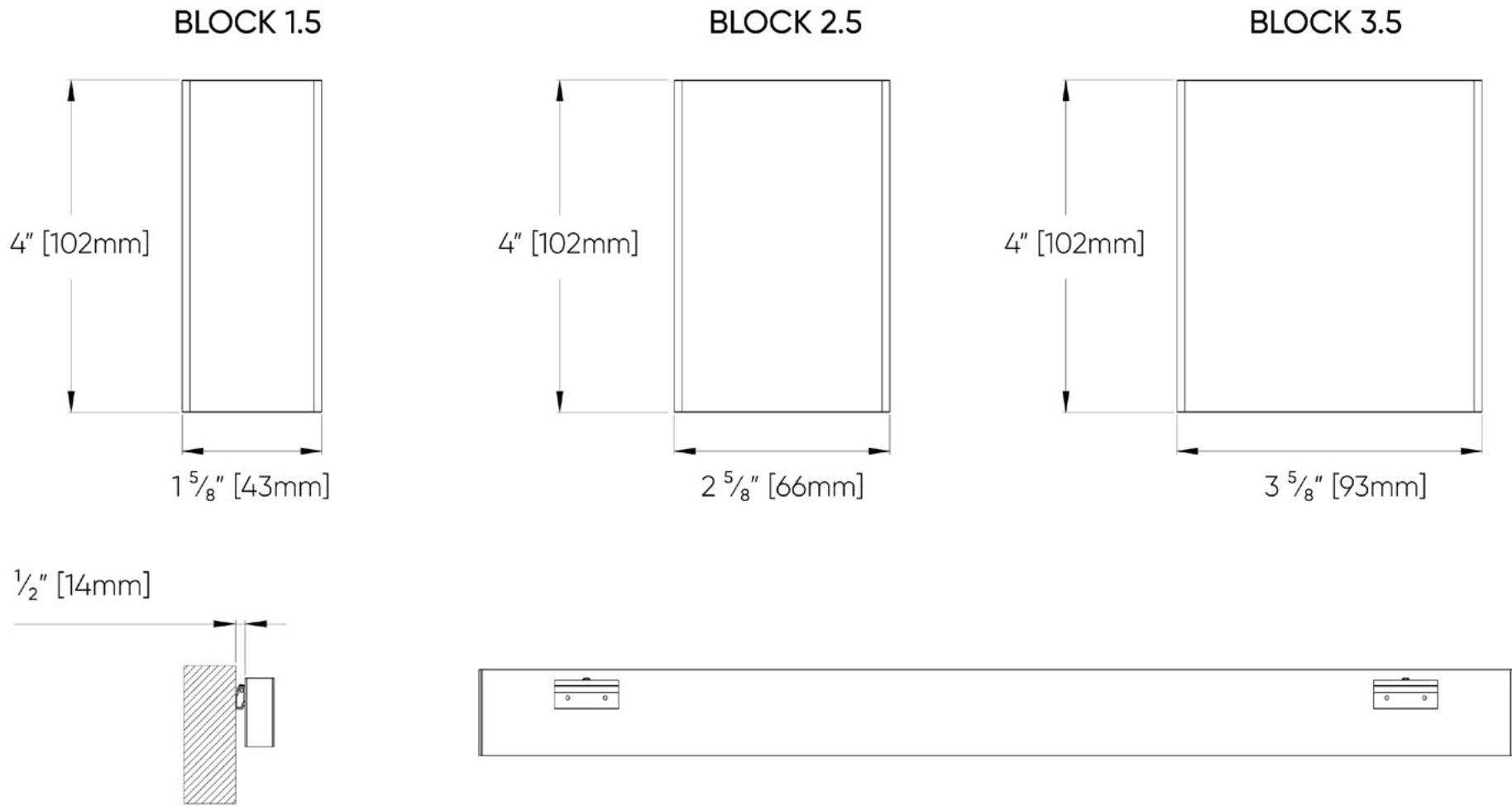
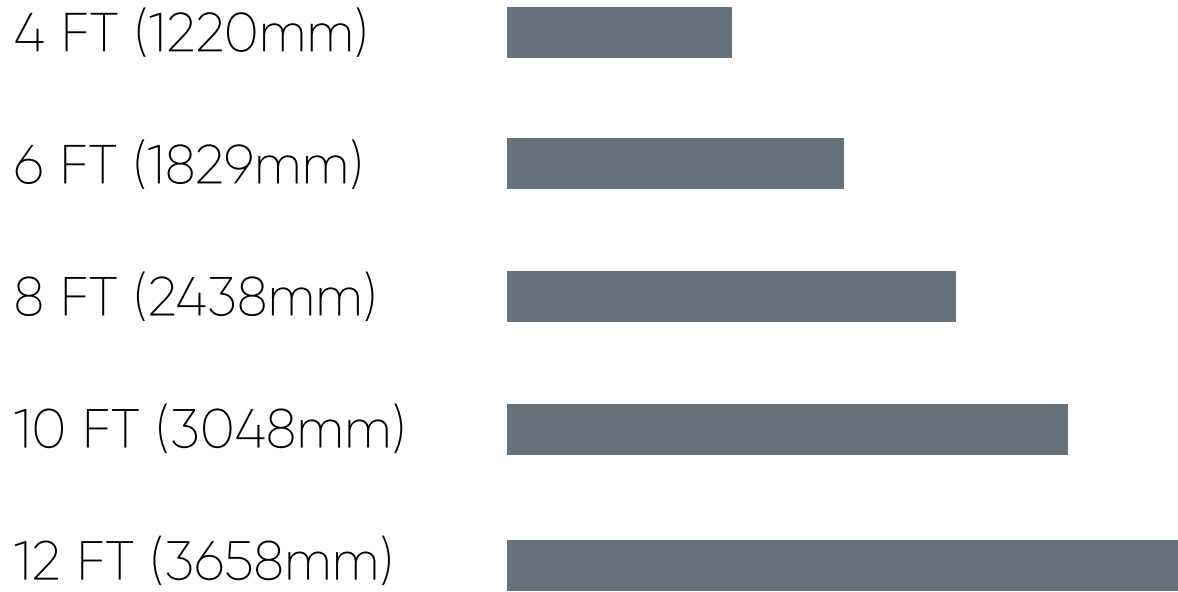
STRATEGIC ILLUMINATION WITH DESIGN INTENT


The curved end caps are paired with an asymmetric light distribution to direct light away from the windows and toward essential areas. This strategic design ensures that the light is precisely focused where it is needed most, enhancing both the functionality and aesthetic of the library's modern architectural layout.

DIMENSIONS

BLOCK Wall can be configured as a continuous run up to 50ft on a single circuit. Start with a minimum length of 4ft and add increments of 2ft.

Section Lengths





TECHNICAL SPECIFICATIONS

Lumen packages:

Direct: 200 LM/FT to 1400 LM/FT
Indirect: 200 LM/FT to 1650 LM/FT

CCT:

2700K, 3000K, 3500K, 4000K, RGBW, BIOS, Tunable White

CRI:

80+ or 90+

Light Distribution:

Diffused, Widespread, Batwing, Asymmetric

Circuits:

Single & Dual (Suspended and Wall Only)

Emergency:

Integral

Emergency generated circuit

Dimming (Integral Drivers):

0-10V Dimming to 1.0% and 0.1%

Dali Dimming to 1.0% and 0.1%

DSI/switchDim

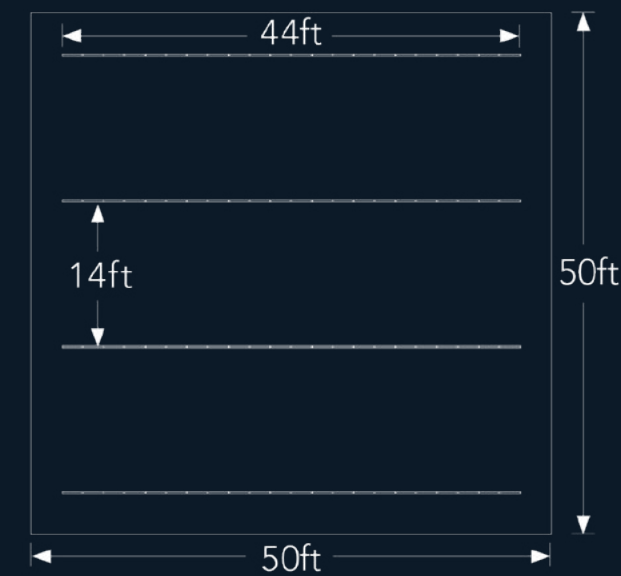
PoE

Sensors:

Compatible with Avi-On, Casambi, Enlighted, Lutron Vive,
nLight, NX Lighting Controls, Osram, Philips, and others.

Consult factory.

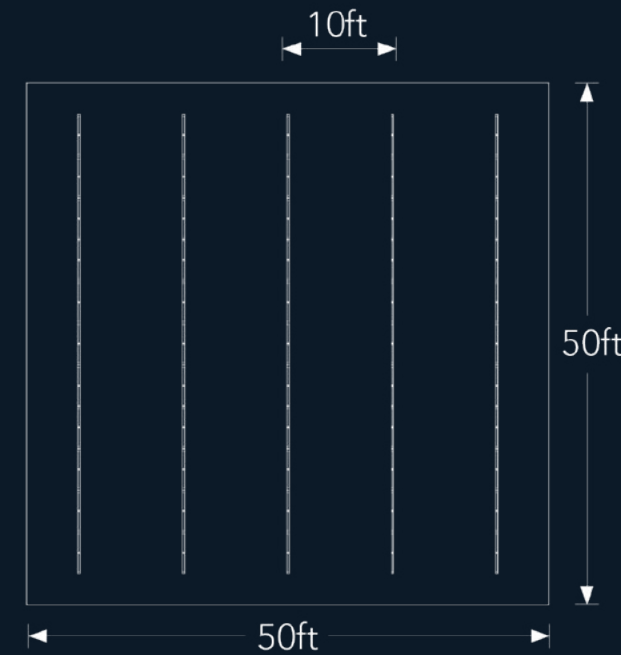
USE CASE SCENARIOS



OPEN PLAN OFFICE SPACE

Suspended widespread 3.5" option with 400lms/ft direct and 400lms/ft indirect

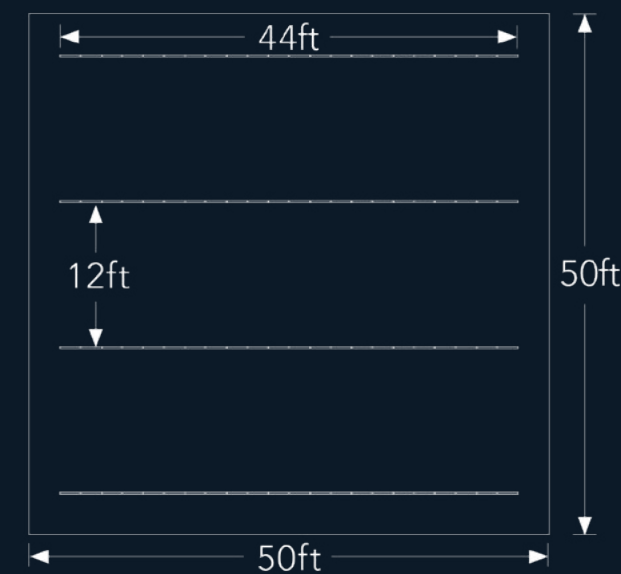
Room size:	50' x 50'	Workplane 30" above finished floor (fc level):	53
Ceiling height:	10'	Workplane uniformity max to min:	1.4:1
Luminaire mounting height:	8'6"	Ceiling uniformity maximum to minimum:	8:1
Reflectances:	80/50/20	UGR average:	<18
Light loss factor:	1.0	Watt sq/ft:	0.4



OPEN PLAN OFFICE SPACE

Surface diffused 2.5" option with 400 lms/ft

Room size:	50'x50'	Workplane 30" above finished floor (fc level):	42
Ceiling height:	9'	Workplane uniformity max to min:	1.2:1
Reflectances:	80/50/20	Watt sq/ft:	0.27
Light loss factor:	1.0		

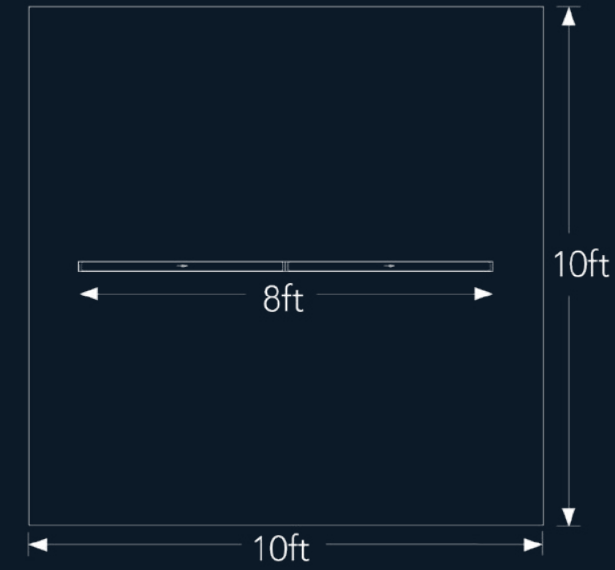


OPEN PLAN OFFICE SPACE

Recessed widespread 1.5" option with 600 lms/ft

Room size:	50' x 50'	Workplane 30" above finished floor (fc level):	47
Ceiling height:	9'	Workplane uniformity max to min:	1.25:1
Reflectances:	80/50/20	Watt sq/ft:	0.37
Light loss factor:	1.0		

USE CASE SCENARIOS



SINGLE OFFICE SPACE

Suspended diffused 2.5" option with 400lms/ft direct and 200lms/ft indirect

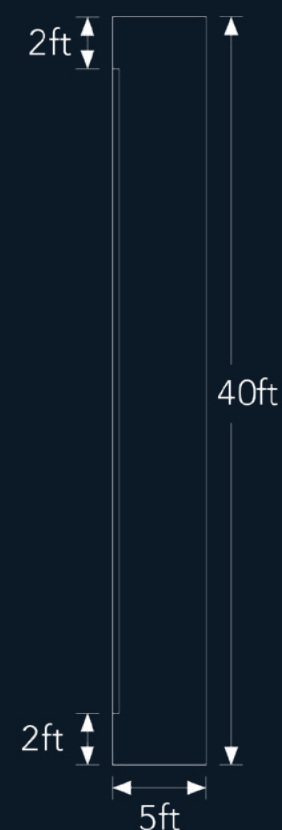
Room size:	10' x 10'	Workplane 30" above finished floor (fc level):	32
Ceiling height:	10'	Ceiling uniformity maximum to minimum:	3.2:1
Luminaire mounting height:	8'5"	UGR average:	<12
Reflectances:	80/50/20	Watt sq/ft:	0.35
Light loss factor:	1.0		



CLASSROOM SPACE

Suspended over desk: Widespread 2.5" option with 400lms/ft direct and 400lms/ft indirect - 32ft length
White-Board: Asymmetric 2.5" option with 400lms/ft direct - 12ft length

Room size:	24' x 40'	Workplane 30" above finished floor (fc level):	55
Ceiling height:	10'	Workplane uniformity max to min:	1.3:1
Luminaire mounting height:	8'5"	Average illuminance on White-board wall:	42
Reflectances:	80/50/20	Ceiling uniformity maximum to minimum:	5:1
Light loss factor:	1.0	UGR average:	<17
		Watt sq/ft:	0.42



CORRIDOR

Wall asymmetric 1.5" option with 200lms/ft

Room size:	40'x5'	Finished floor (fc level):	18
Ceiling height:	9'	Watt sq/ft:	0.27
Luminaire mounting height:	7'6"		
Reflectances:	80/50/20		
Light loss factor:	1.0		

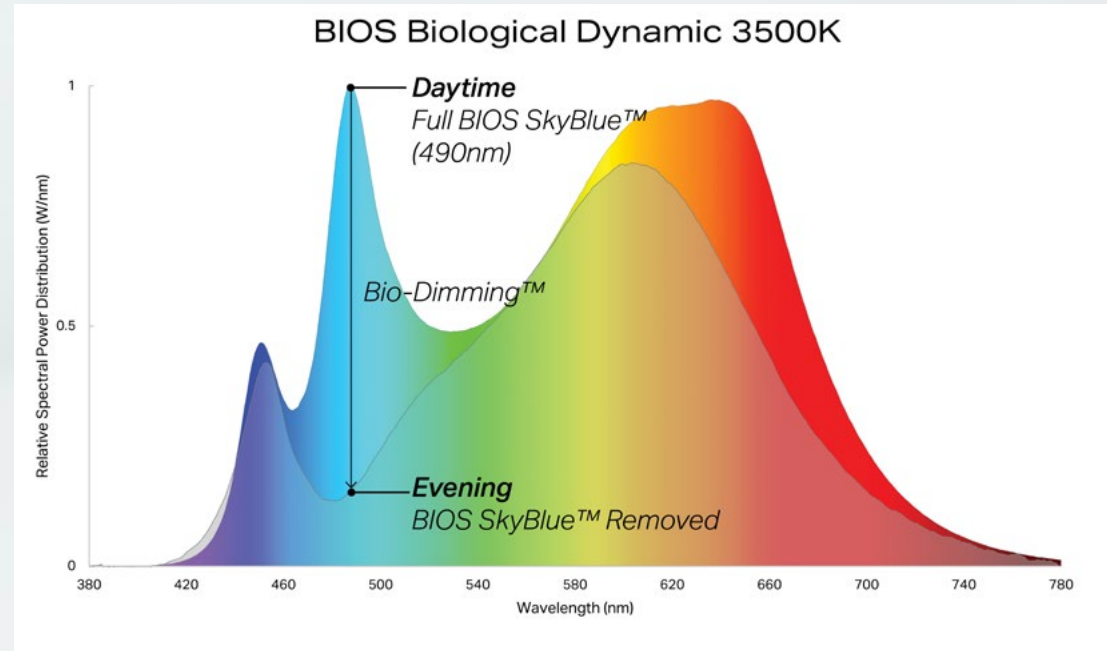
Boost Health and Wellness with Circadian Lighting

Modern living confines building occupants to artificial lighting for 90% of their time. While functional, it lacks the vital circadian signals present in natural sunlight. This disconnect disrupts the internal clock, impacting various aspects of occupant health, including alertness, mood, sleep quality, and even long-term well-being.



Introducing BLOCK Linear with BIOS SkyBlue™ Integration

BIOS SkyBlue represents a groundbreaking advancement in lighting technology which can be integrated with the BLOCK linear collection. It incorporates the essential blue-sky signals (490nm) that the human body relies on to maintain a healthy circadian rhythm, promoting well-being and aligning indoor lighting with natural light cycles.



BENEFITS OF INTEGRATED CIRCADIAN LIGHTING

Enhanced Circadian Regulation

BIOS SkyBlue promotes healthier sleep-wake cycles for building occupants, leading to improved overall health and well-being.

Increased Alertness and Productivity

Experience sharper focus and a more energized workday for occupants.

Elevated Mood

Foster a positive and productive work environment with a boost in occupant emotional well-being.

Improved Sleep Quality

BIOS SkyBlue can help occupants fall asleep more easily and achieve a more restful night's sleep.

UNCOMPROMISING QUALITY FOR BUILDING SUCCESS

BIOS SkyBlue prioritizes exceptional quality without compromise, ensuring optimal performance and occupant comfort.

Industry-Leading Melanopic Ratios

Delivers optimal circadian stimulation at comfortable color temperatures (3000K, 3500K, 4000K).

Brilliant Color Rendering

Maintains exceptional visual comfort with a CRI of 80+ and R9>90.

Simple and Flexible Controls

Single-channel dimming offers seamless compatibility with 0-10V, wireless controls, and even 2-channel systems for easy integration into existing building management systems.

WELL Building Standard™ Compliance

Contributes to achieving WELL certification for projects, signifying a commitment to creating healthier spaces.



FOSTERING WELL-BEING IN EVERY SPACE

Offices

Boost employee focus, productivity, and energy levels throughout the day, creating a more dynamic and positive workplace.

Educational Institutions

Enhance students' concentration and learning by encouraging healthy sleep-wake patterns and sharper cognitive abilities.

Healthcare Facilities

Foster a healing atmosphere for both patients and staff by improving sleep quality, reducing stress, and enhancing overall wellness.

Senior Living Facilities

Elevate residents' sleep quality and daytime alertness, contributing to their overall well-being and life satisfaction.

Retail Spaces

Craft a more engaging shopping experience for customers by enhancing alertness and fostering positive emotions.

BLOCK with integrated circadian lighting offers a groundbreaking approach to lighting. Embrace the science of natural light and unlock the potential for a healthier, more productive built environment.



Declare.  [®]



Declare.

Linear Series BETA-CALCO INC

Final Assembly: Toronto, Ontario, Canada

Life Expectancy: 5 Year(s)

End of Life Options: Recyclable (99.6%), Landfill (0.4%)

Ingredients:

Aluminum; Small Electrical Components - RoHS Compliant¹; Polymethyl methacrylate; Steel; Acrylonitrile-Butadiene-Styrene Copolymer; Iron; Carbonic acid, polymer with 4,4'-(1-methylethylidene)bis[phenol]; Copper; Manganese; Phenol, 4,4'-(1-methylethylidene)bis-, polymer with 2,2'-[(1-methylethylidene) bis(4,1-phenyleneoxymethylene)]bis[oxirane]; Silicon; **Polyvinyl chloride**; Magnesium; Antimony oxide (Antimony trioxide); Magnesium, [carbonato(2-)]hexadecahydroxybis(aluminum)hexa-; Tin, Organic; Tris(2-ethylhexyl) trimellitate; Titanium dioxide; Octadecanoic acid, calcium salt; Zinc; Phosphoric acid, 2-ethylhexyl diphenyl ester; Chromium, metallic; 1,3,5-Triglycidyl-s-triazinetriene; Methyl Ethyl Ketone; Titanium; Nickel (Metallic); 2-Methylimidazole; Carbon black; magnesium dioxide; Cyclohexanone

¹LBC Temp Exception RL-002 - Small Electrical Components

Living Building Challenge Criteria:

I-13 Red List:

- LBC Red List Free % Disclosed: 100% at 100ppm
- LBC Red List Approved VOC Content: Not Applicable
- Declared

I-10 Interior Performance: Not Applicable

I-14 Responsible Sourcing: Not Applicable

BET-0001

Original Issue Date: 2023

MANUFACTURER RESPONSIBLE FOR LABEL ACCURACY
INTERNATIONAL LIVING FUTURE INSTITUTE™ living-future.org/declare

Declare.

Decorative Series BETA-CALCO INC

Final Assembly: Toronto, Ontario, Canada

Life Expectancy: 5 Year(s)

End of Life Options: Recyclable (99.7%), Landfill (0.3%)

Ingredients:

Aluminum; Small Electrical Components - RoHS Compliant¹; Iron; Steel; Polyethylene Terephthalate; Glass, oxide, chemicals; Carbonic acid, polymer with 4,4'-(1-methylethylidene)bis[phenol]; Polyethylene; Brass; Poly[[imino(1,6-dioxo-1,6-hexanediy)]imino-1,6-hexanediy]; Siloxanes and Silicones, di-Me, Me vinyl, vinyl group-terminated; Manganese; Copper; Zinc; Silicon; Magnesium; Nylon; Siloxanes and Silicones, di-Me, di-Ph, vinyl group-terminated; Chromium, metallic; **Polyvinyl chloride**; Phenol, 4,4'-(1-methylethylidene)bis-, polymer with 2,2'-[(1-methylethylidene) bis(4,1-phenyleneoxymethylene)]bis[oxirane]; Titanium dioxide; Cyclotetrasiloxane; Nickel (Metallic); Antimony oxide (Antimony trioxide); Magnesium, [carbonato(2-)]hexadecahydroxybis(aluminum)hexa-; Polymethyl methacrylate; Tin, Organic; 1,3,5-Triglycidyl-s-triazinetriene; Titanium; nickel zinc; Silanol terminated polydimethylsiloxane; Molybdenum; Diisopropoxytitanium bis(ethylacetoacetate); Tungsten; Octadecanoic acid, calcium salt; Vanadium; Cobalt metal powder; Methyl Ethyl Ketone

¹LBC Temp Exception RL-002 - Small Electrical Components

Living Building Challenge Criteria:

I-13 Red List:

- LBC Red List Free % Disclosed: 100% at 100ppm
- LBC Red List Approved VOC Content: Not Applicable
- Declared

I-10 Interior Performance: Not Applicable

I-14 Responsible Sourcing: Not Applicable

BET-0002

Original Issue Date: 2023

MANUFACTURER RESPONSIBLE FOR LABEL ACCURACY
INTERNATIONAL LIVING FUTURE INSTITUTE™ living-future.org/declare

WHY DECLARE MATTERS

Every year, the building industry accounts for 39% of global carbon emissions, and the health impacts of the built environment are drawing increased scrutiny. In earning a Declare label for our linear and decorative line, we're joining over 200 manufacturers by responding to the market's demand for decreased emissions and increased transparency.



BETACALCO

Since 1941, we have held a passion for designing cutting-edge professional lighting that changes how spaces are illuminated while upholding the enduring principles of quality and craftsmanship.

Our objective is to work in lockstep with our clients by developing innovative products that meet their variegated design needs and comply with the latest energy and construction standards. Furthermore, our manufacturing infrastructure allows us to scale products and satisfy niche design requirements.

We use leading-edge wellness technologies including BIOS, Tunable White, and Dim to Warm; and employ open-source connectivity to intelligent control systems, including Power over Ethernet.

Our customer-centric approach to service and product design is the basis of our reputation and how we have become a key lighting supplier across the globe.

betacalco.com

sales@betacalco.com

